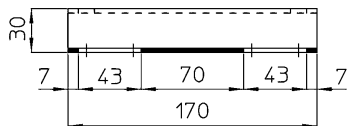
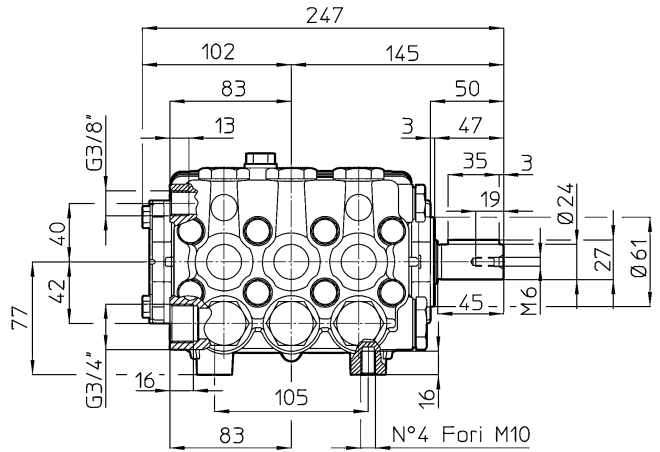
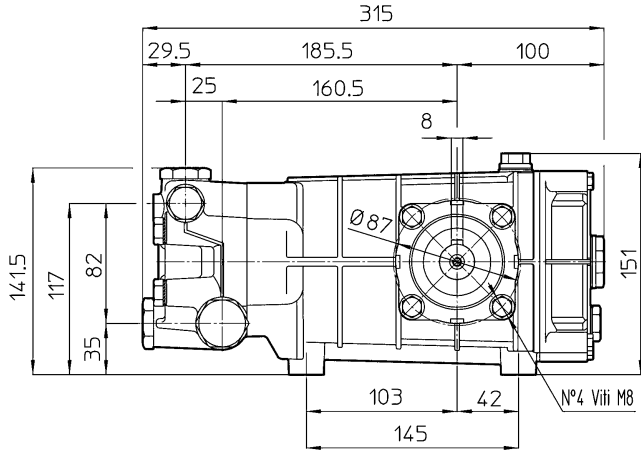




Revised 10-1-2005

G-SERIES PLUNGER PUMPS Dimensional Drawings

All dimensions are in millimeters. (x .03937 for Inches)



**Solid
Shaft
Models**

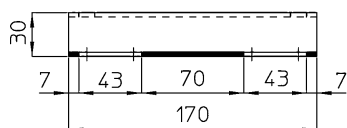
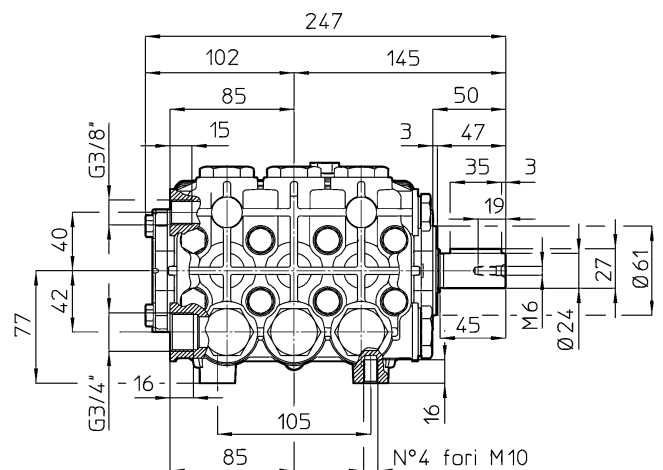
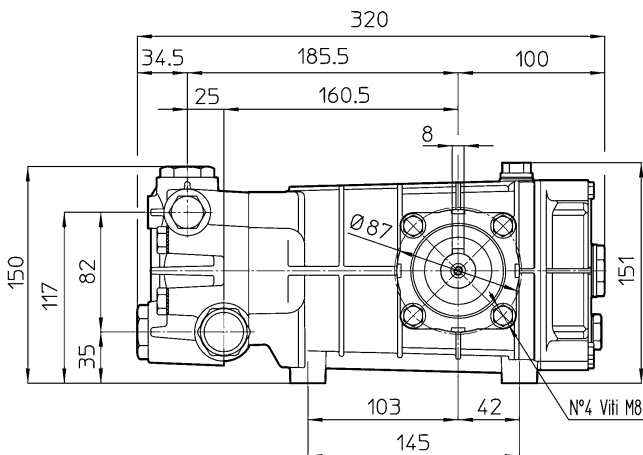
Note: G-Series Pumps with flow rates from 10-12 GPM have 1/2" FNPT discharge port.



Revised 10-1-2005

GK-SERIES SUPER-DUTY PLUNGER PUMPS Dimensional Drawings

All dimensions are in millimeters. (x .03937 for Inches)



**Solid
Shaft
Models**

Note: GK-Series Pumps with flow rates from 10-12 GPM have 1/2" FNPT discharge port.

G-SERIES