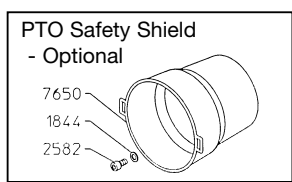
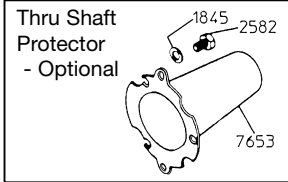
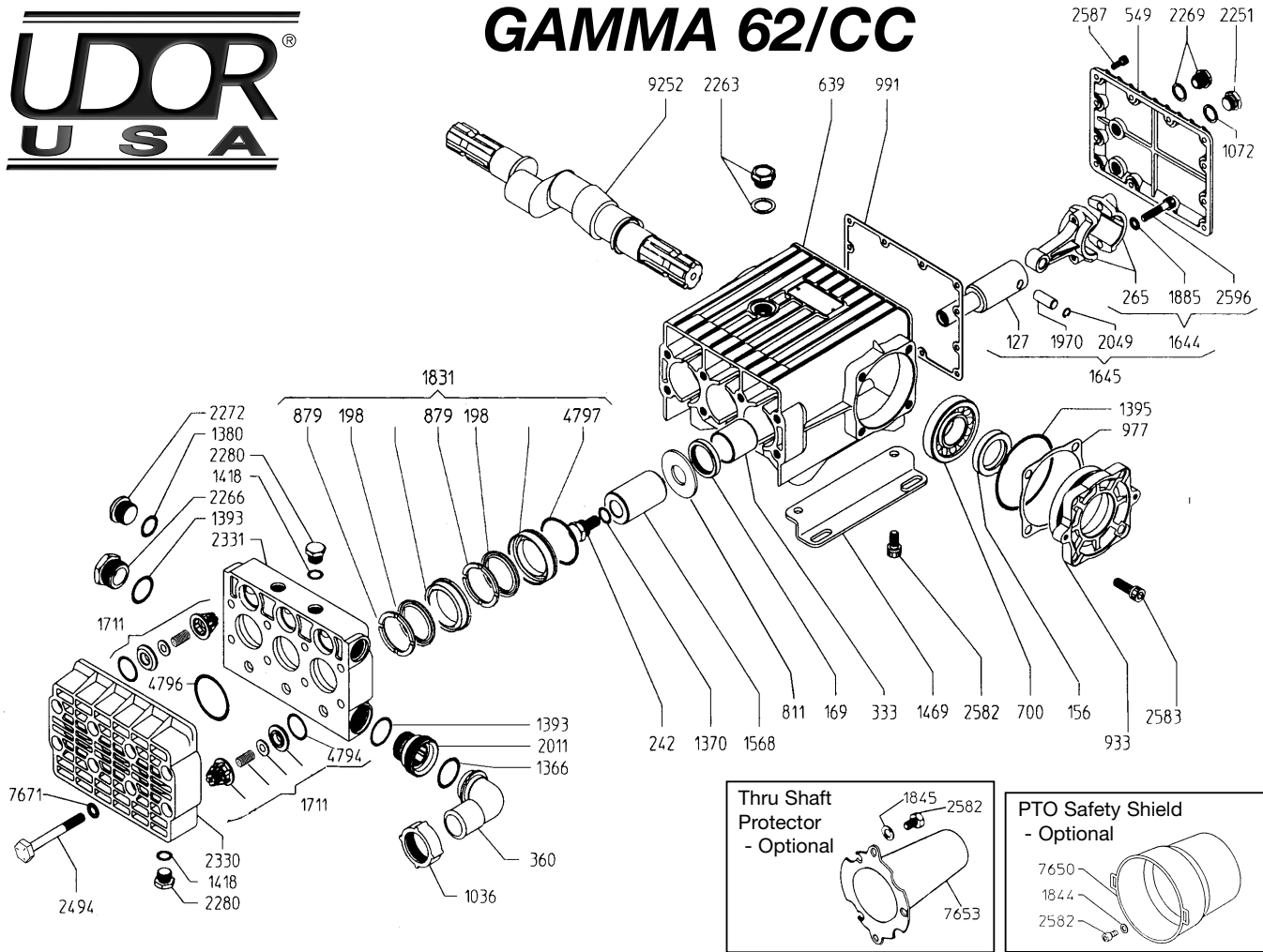




GAMMA 62/CC



| Ref # | Part # | Description | Qty. | Ref # | Part # | Description | Qty. |
|-------|---------|------------------------------|------|--------|---------|-----------------------------------|------|
| 127 | 0014.17 | Plunger Guide | 3 | 1831 | 6030.23 | Seal Kit - Complete w/Brass | 3 |
| 156 | 0007.02 | Seal | 2 | 1844 | 1403.09 | Washer (For optional PTO Shield) | 2 |
| 169 | 0007.26 | Seal | 3 | 1845 | 1403.10 | Washer (for Thru-Shaft Protector) | 2 |
| 191 | 0023.41 | Spacer Ring | 3 | 1885 | 1411.02 | Washer | 6 |
| 198 | 0021.09 | High Pressure V-Packing | 6 | 1970 | 1502.12 | Wrist Pin | 3 |
| 242 | 0102.13 | Plunger Bolt | 3 | 2011 | 1504.02 | Inlet Adapter | 1 |
| 333 | 0115.06 | Plunger Guide Bushing | 3 | 2049 | 1506.11 | Snap Ring | 6 |
| 360 | 0202.91 | Suction Elbow - BRASS | 1 | 2251 | 1603.02 | Oil Plug | 1 |
| 549 | 0208.56 | Back Cover | 1 | 2263 | 1603.B2 | Oil Cap - Vented | 1 |
| 639 | 0209.50 | Pump Body | 1 | 2266 | 1603.30 | Plug - Inlet | 1 |
| 700 | 0214.04 | Crank Bearing | 2 | 2269 | 1603.33 | Oil Sight Glass | 1 |
| 811 | 0301.49 | Slinger Ring | 3 | 2272 | 1603.40 | Plug - Discharge | 1 |
| 879 | 0307.16 | Spreader Ring | 6 | 2280 | 1603.51 | Plug | 5 |
| 933 | 0501.B6 | Bearing Cap | 2 | 2330 | 1604.85 | Head - Front | 1 |
| 977 | 0602.05 | Gasket | 2 | 2331 | 1604.86 | Head - Inner | 1 |
| 991 | 0602.51 | Gasket | 1 | * 2465 | 1804.07 | Bolt | 1 |
| 1036 | 0604.13 | Suction Nut - BRASS | 1 | 2494 | 1804.12 | Head Bolt (Hex Head) | 8 |
| 1072 | 0605.09 | Aluminum Gasket | 1 | 2582 | 1805.04 | Bolt (2 for each Protector) | 8 |
| 1366 | 1101.02 | O-Ring | 1 | 2583 | 1805.05 | Bolt / PTO | 8 |
| 1370 | 1101.06 | Plunger Bolt O-Ring | 3 | 2587 | 1805.20 | Bolt | 12 |
| 1380 | 1101.25 | O-Ring | 2 | 2596 | 1805.23 | Bolt | 6 |
| 1393 | 1101.46 | O-Ring | 2 | 4794 | 1101.E2 | O-Ring | 6 |
| 1395 | 1101.48 | O-Ring | 2 | 4796 | 1101.97 | O-Ring | 3 |
| 1418 | 1101.55 | O-Ring | 5 | 4797 | 1101.98 | O-Ring | 3 |
| 1469 | 1202.34 | Mounting Rail | 2 | 7650 | 1219.02 | PTO Safety Shield (Optional) | 1 |
| 1568 | 1205.29 | Ceramic Plunger | 3 | 7653 | 1219.15 | Thru-Shaft Protector (Optional) | 1 |
| 1644 | 6000.28 | Connecting Rod | 3 | 7671 | 1403.09 | Head Bolt Washer | 8 |
| 1645 | 6000.29 | Connecting Rod Ass'y w/Guide | 3 | 9252 | 0002.81 | Crankshaft | 1 |
| 1711 | 6006.13 | Valve Assembly | 6 | | | | |

GAMMA 62/CC Quick Reference

| | | | |
|------------------------|-------------------|----------------------------------|------------|
| Maximum Flow | 16 GPM | Valve Assembly | 02-6006.13 |
| Maximum Pressure | 1000 PSI | (Six valve assemblies per pump) | |
| Rated Pump Speed | 600 RPM | Seal Stack Kit | 02-6030.23 |
| Oil Capacity | 44 oz. UDOR LUBE | (Three seal stack kits per pump) | |
| | or SAE 30W | Plunger Part # | 02-1205.29 |
| | Non-Detergent Oil | Plunger Diameter | 40 MM |

Revised 10-1-2005