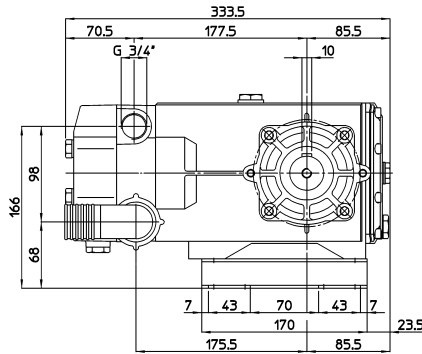


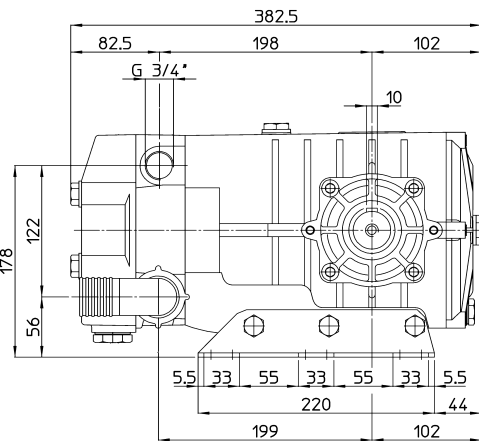
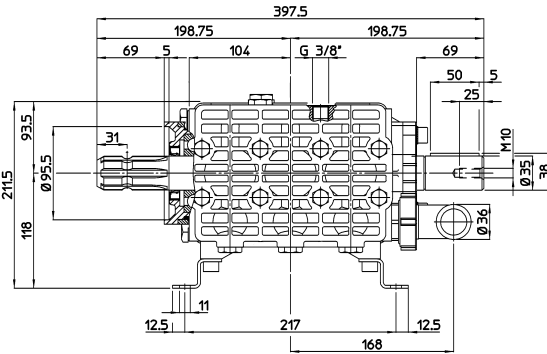


GAMMA SERIES PLUNGER PUMPS Dimensional Drawings

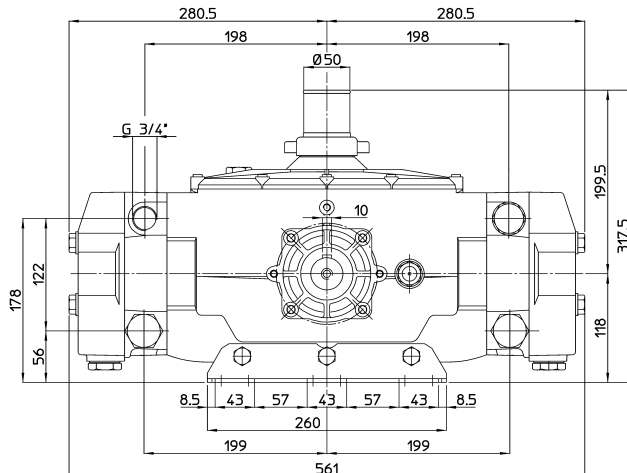
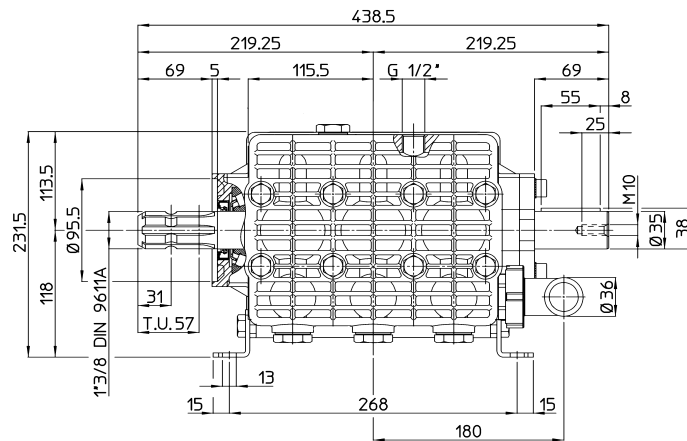
All dimensions are in millimeters. (x .03937 for Inches)



GAMMA 62/CC

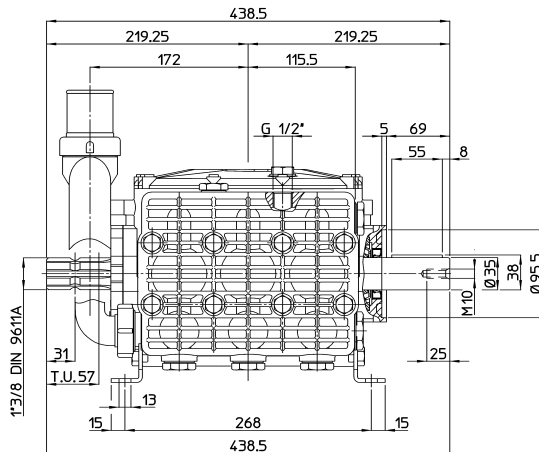


GAMMA 95/CC & GAMMA 100/CC



Revised 10-1-2005

GAMMA 202/CC & GAMMA 242/CC



GAMMA SERIES