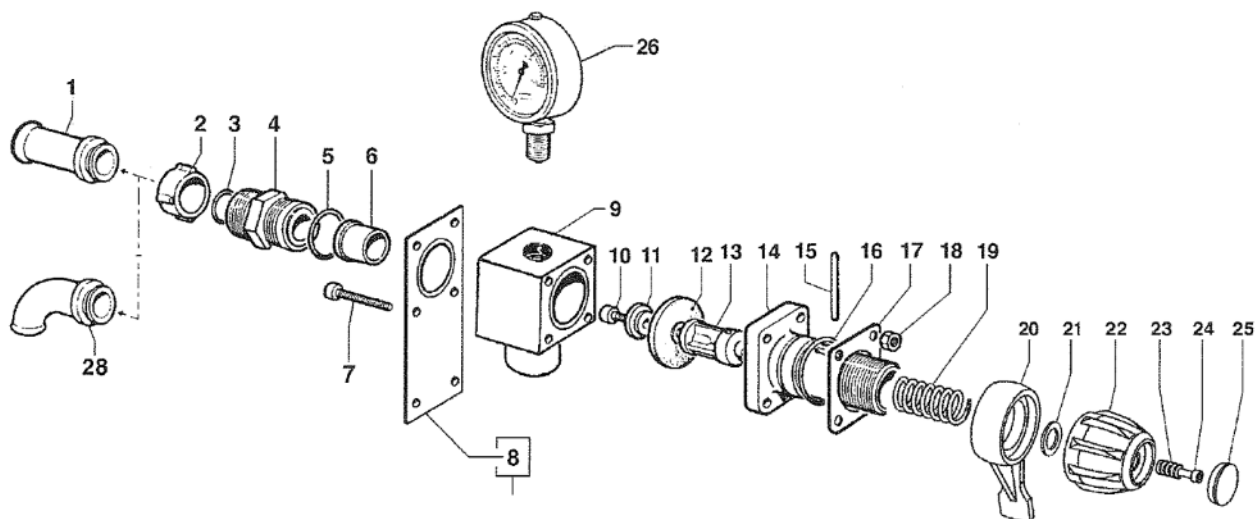




**VR20**  
**1204.0333.00**  
**VR40**  
**1204.0329.00**



#	PART #	DESCRIPTION	NOTE
1	2800.0049.00	BY-PASS TAIL	15,5x25,4
2	1200.0008.00	WING NUT	30MB
3	1210.0046.00	O-RING	2,62x17,13
4	2000.0013.00	NIPPLE	30MB-30MB
5	1210.0047.00	O-RING	2,62x22,22
6	3009.0046.00	PRESSURE VALVE SEAT	
7	3607.0198.00	VR40 HEX SCREW	M6x55
	3607.0152.00	VR20 HEX SCREW	M6x60
8	2404.0127.00	VR20 SUPPORT PLATE	
9	0424.0210.00	CONTROL ASSY BODY	
10	3609.0047.00	SCREW	M6x14
11	3600.0022.00	PRESSURE VALVE	
12	1800.0040.00	DIAPHRAGM	
13	2426.0015.00	GUIDE	
14	0424.0239.00	BODY	
15	3005.0027.00	PIN	4x40

#	PART #	DESCRIPTION	NOTE
16	1210.0034.00	O-RING	3,53x28,17
17	2403.0061.00	PLATE	
18	0604.0010.00	NUT	M6
19	1802.0053.00	VR40 SPRING	e22x61,5
	1802.0048.00	VR20 SPRING	e22x59
20	1600.0095.00	LEVER	
21	1209.0044.00	GASKET	14x22x2
22	1223.0098.00	ADJUSTABLE NUT	
23	1802.0067.00	SPRING	e8x23,7
24	3609.0113.00	SCREW	M4x45
25	3202.0256.00	VR40 PLUG	ORANGE
	3202.0254.00	VR20 PLUG	GREEN
28	2801.0013.00	ONLY VR40 ELBOW COUPLING	18x23
26	1816.0117.00	VR40 PRESSURE GAUGE	580 PSI
	1816.0115.00	VR20 PRESSURE GAUGE	290 PSI

PRICES SUBJECT TO CHANGE WITHOUT NOTICE.