

# Mounting Instructions

## Open Trailers

1. Choose a mounting location on the rail of your trailer, that is directly over an upright support (See Figure 1).
2. Using the base plate of the rack as a template mark the location of the holes and drill with a 27/64" bit.
3. Bolt the rack in place.

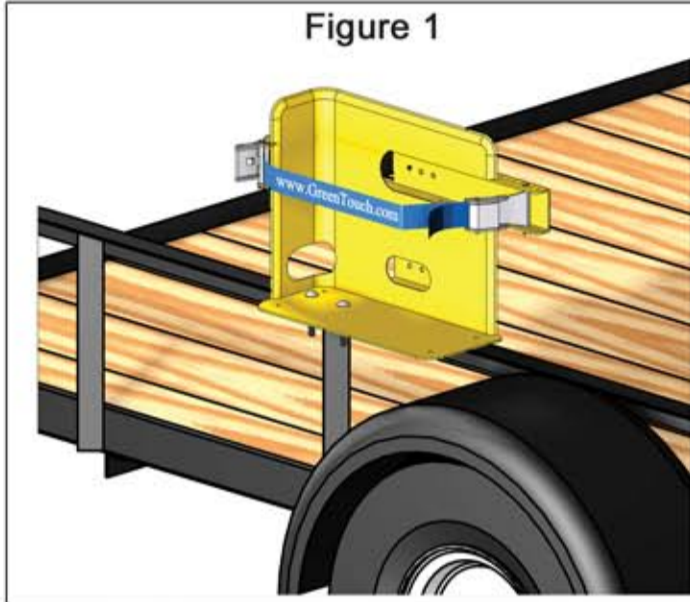


Figure 1

## Enclosed Trailers

1. Choose a mounting location on the wall of your trailer, it should be directly over a rib support.
2. Install the two middle screws through the rack and into the steel rib support (See Figure 2).

Note: If you wish to mount the rack in a location that has no steel support use four screws in the outside holes.

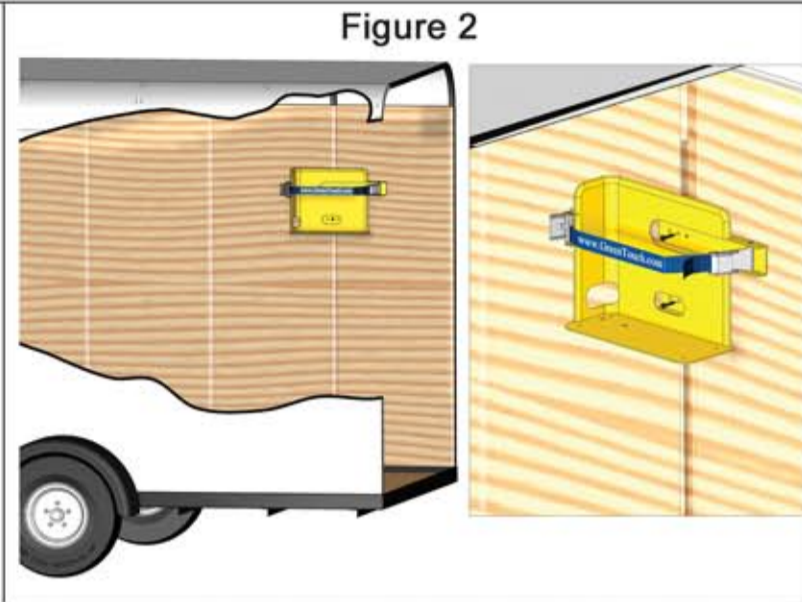
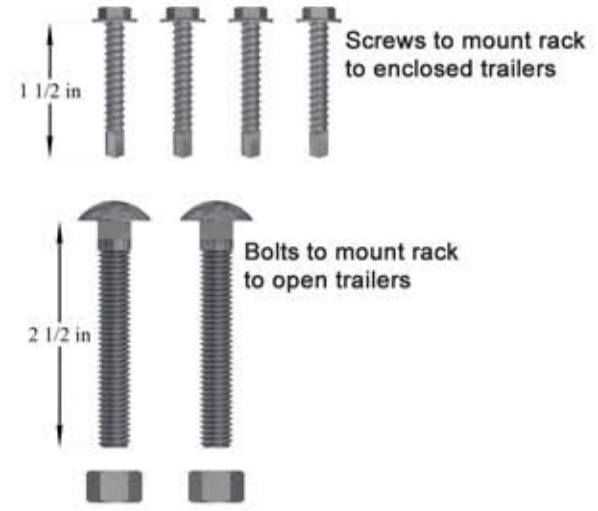


Figure 2

## Included Hardware



## Using the Rack

1. Place item into the rack.
2. Move adjustment pin to the desired location.
3. Hook Slack adjuster on to the adjustment pin and remove any slack from the strap (See Figure 4).
4. Flip the tensioner lever to tighten strap and secure your equipment (See Figure 5).

Figure 4

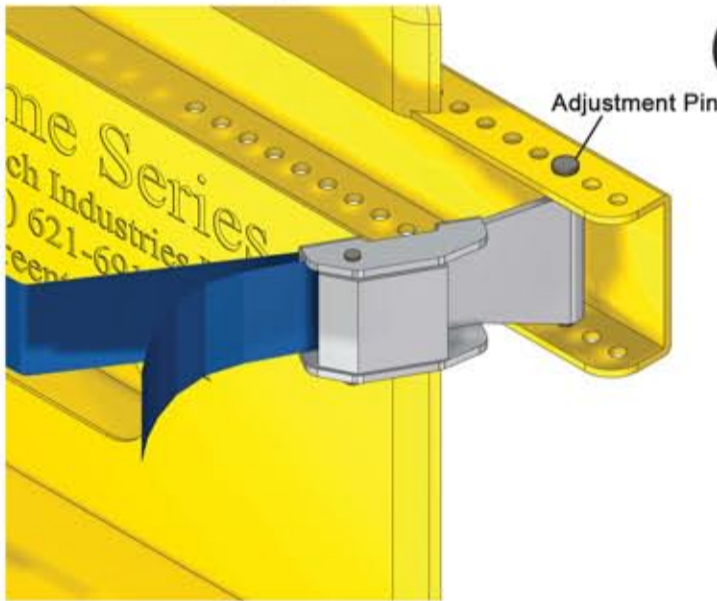
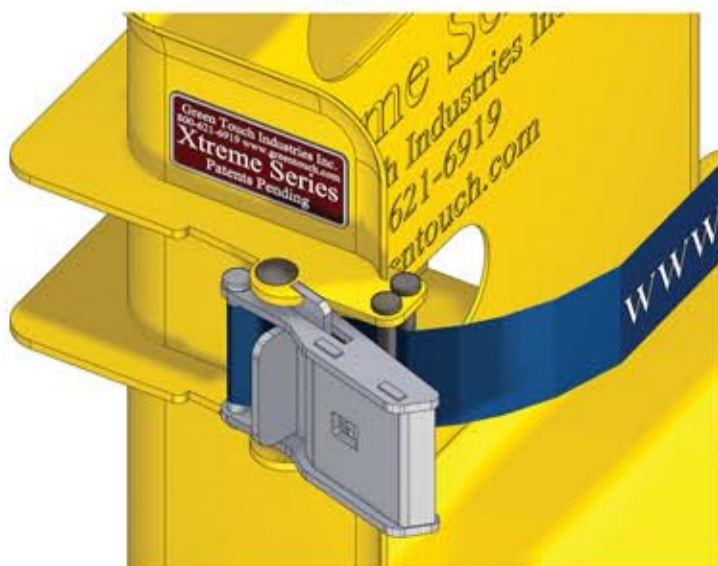


Figure 5



## Extensions

Extensions are used to stabilize trailers that have unstable rails, they also allow racks to be mounted to trailers with round rails. To determine what size you need measure from the floor of the trailer to the top of the rail.

Item#	Height:
EA014	14"
EB020	20"
EC024	24"



## Domestic Truck Mount Kit

Kit inserts into stake pocket to allows racks to be mounted. Fits Ford, Chevy, & Dodge full size pickup trucks. (Call to Order)  
Item# EI086



Green Touch Industries Inc  
100 Federal Hwy 1  
Lake Park, FL 33403

1-800-621-6919  
www.Greentouch.com  
info@greentouch.com

