

LESCO®

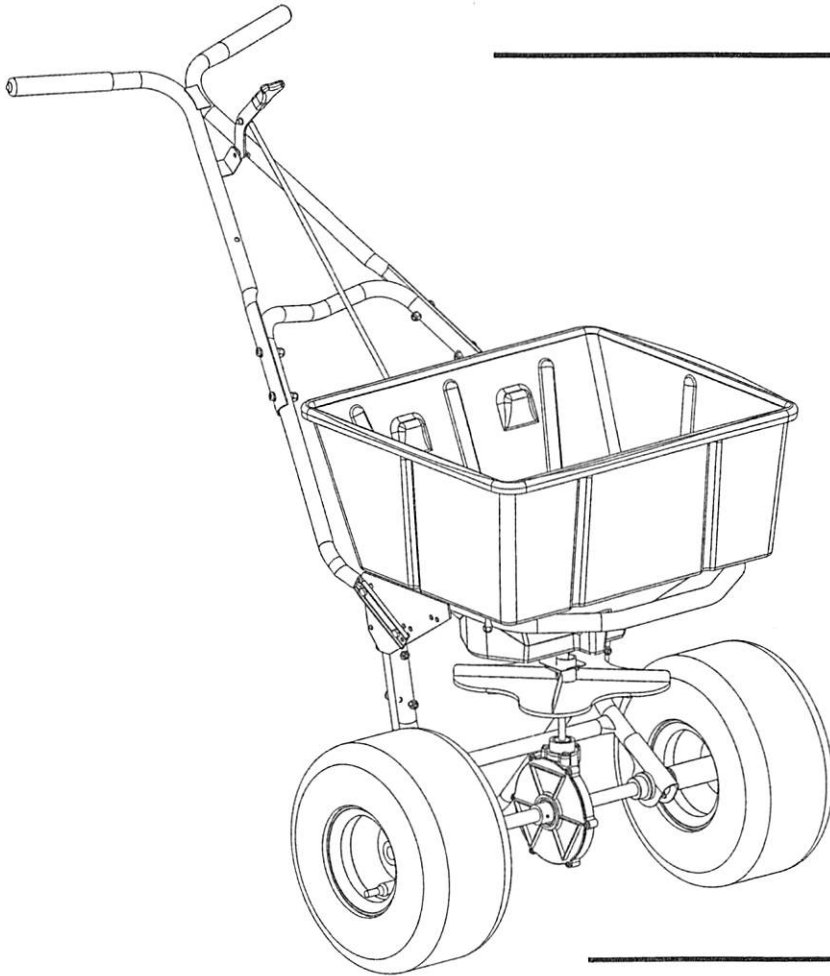
Model #: 101186

Starting Date: 06/2011

5:1 Gearbox

101186/Stainless Steel With Deflector

80 LB Rotary Spreader Optional Equipment Calibration

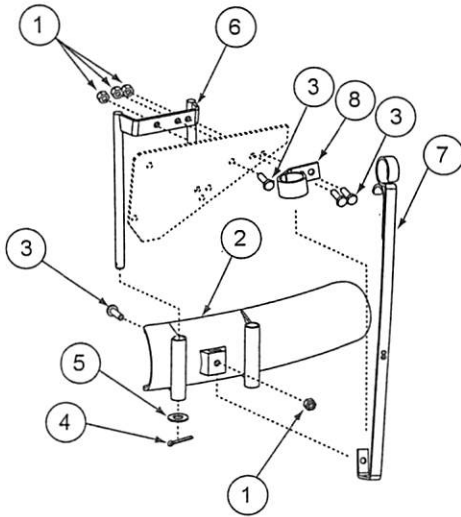


PARTS LIST AND INSTRUCTIONS

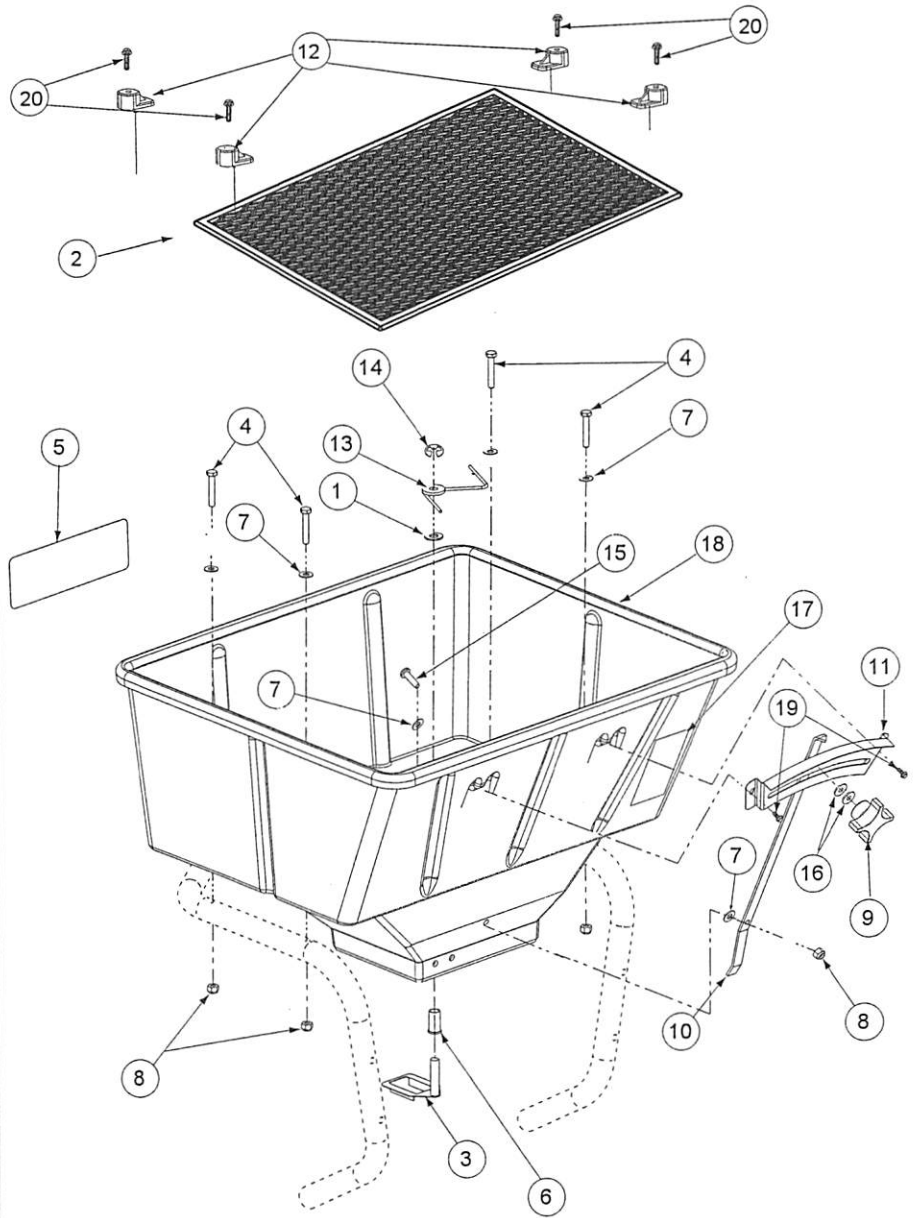
This product may be covered by one or more of the following patents:
4,511,090, Pending

80LB. Hopper Assembly - Figure 1 and Parts List

The Optional Universal Deflector Item No. 092455

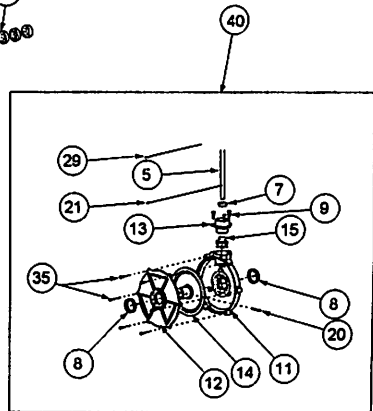
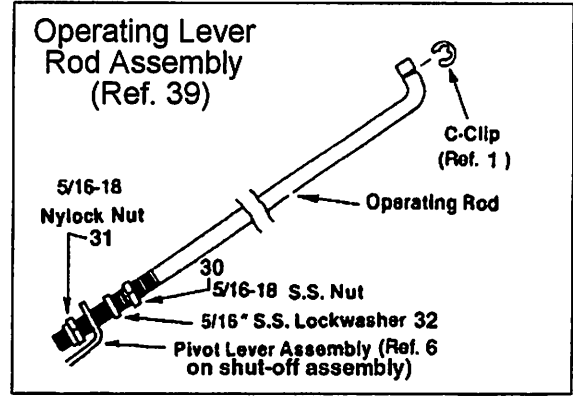
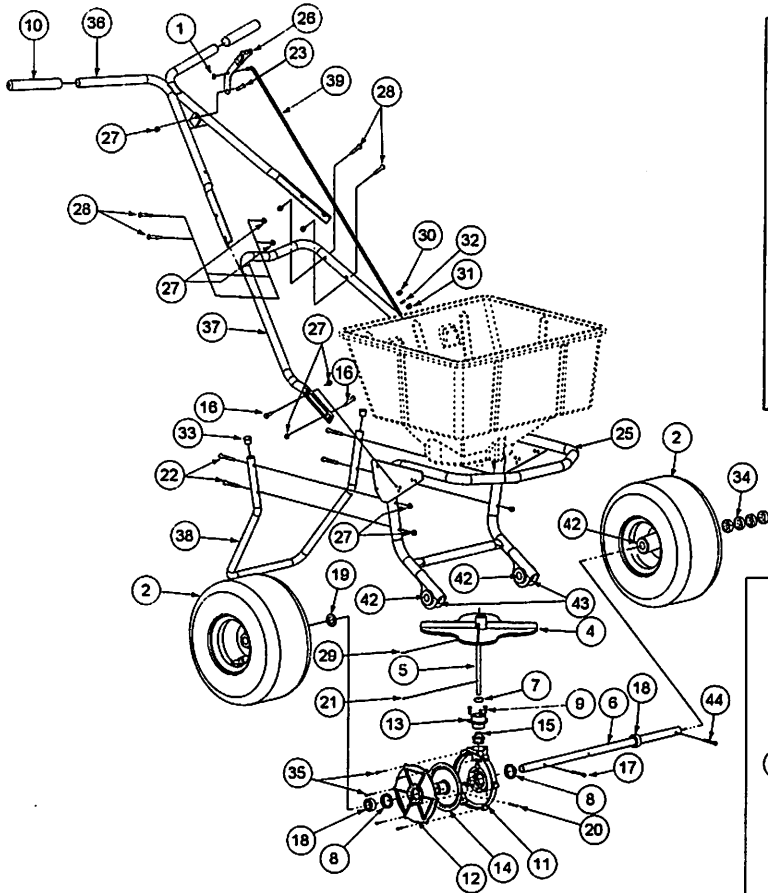


Ref. Part No.	Part No.	Description	Qty.
1	060036	Lock Nut, 1/4-20	4
2	061066	Deflector	1
3	060057	Screw, 1/4-20 x 7/8	4
4	061052	Cotter Pin	1
5	061053	Flat Washer	1
6	706254	Mounting Tube	1
7	706305	Handle, 80#	1
8	706308	Ring Support	1



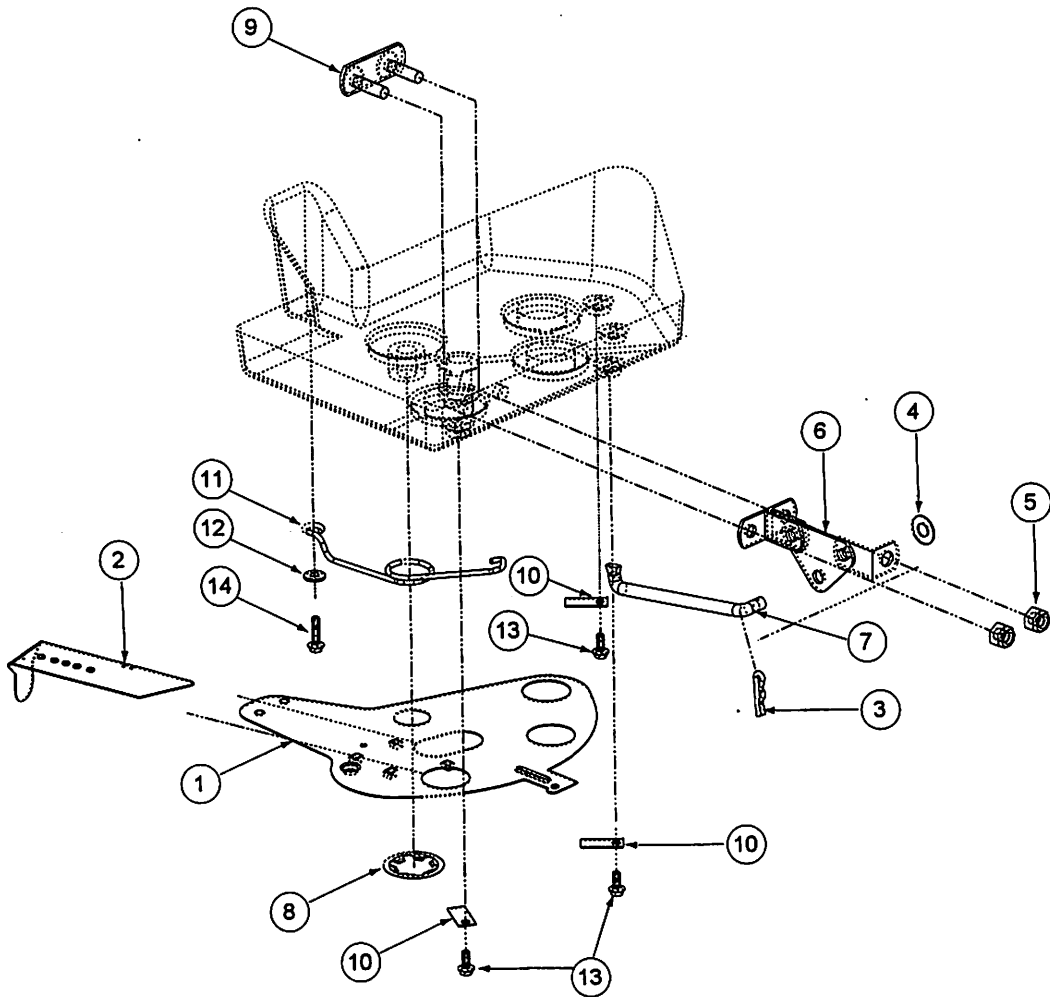
Ref. No.	Part No.	Description	Qty.	Ref. No.	Part No.	Description	Qty.
1	005530	Nylon Flat Washer, 3/8	1	11	706772	Control Plate Rate	1
2	5009S	Steel Screen for 80# hoppers	1	12	092422	Plastic Screen Clip	4
3	092125	Agitator Assembly	1	13	092126	Agitator Arm Assembly	1
4	031167	Hex Cap Screw, 1/4-20, 1.50	4	14	092127	Retainer Clip "C"	1
5	706895	Lesco Decal, 2-3/8 x 7-1/8	1	15	031168	Screw, 1/4-20 x .75	1
6	060027	Agitator Shaft Bearing	1	16	082452	Nylon Flat Washer, 1/4	2
7	060033	Flat Washer, 1/4"	6	17	702048	4" x 2" Vinyl Decal	1
8	060036	Nylock Nut, 1/4-20	5	18	5007S	Hopper Green 80#, Recessed	1
9	060043	Control Rate Knob	1	19	705631	Index Washer Hex Screw #8 x 3/8	2
10	060044	Control Arm Rate	1	20	092426	Phillips Head Screw #8 x 1/2	4

80LB Frame Assembly - Figure 2 and Parts List



Ref. No.	Part No.	Description	Qty.	Ref. No.	Part No.	Description	Qty.
1	010171	Retainer Clip "C"	1				
2	018901	Wheel	2	25	706129	Frame Assembly, SS	1
				26	060034	Operating Lever, Rubber Handle Assembly	1
4	030317	Impeller	1	27	060036	Lock Nut Nylon Insert, 1/4-20	13
5	030382	Impeller Shaft	1	28	031167	Hex Cap Screw, 14-20 x 1.5	4
6	030383	Axle	1	29	060069	Roller Pin, 1/8 x 1	1
7	030384	Gearset Oil Seal	1	30	060071	Hex Lock Nut, 5/16	1
8	030385	Gearset Seal	2	31	060072	Nut, Nylon Insert, 5/16-18	1
9	030415	Washer Hex Screw, #10 x 5/8	3	32	060073	Lock Washer, 5/16	1
10	030446	Handle Grip	2	33	020913	Plastic Plug, SS	2
11	030591	Gearset Housing	1	34	060017	Flat Washer, 1.25 x .776 x .062 SS	4
12	030592	Gearset Cover	1	35	700129	Washer Hex Screw, #6 x 5/8	6
13	030593	Gearset Cap	1	36	704875	Handle Assembly, SS	1
14	030594	Gearset Bevel Gear	1	37	704876	Lower Handle, SS	1
15	030595	Gearbox Pinion Gear	1	38	704878	Support Leg, SS	1
16	031168	Hex Cap Screw, 1/4-20 x .75	4	39	706035	Operating Rod Lever	1
17	060012	Cotter Pin, 3/16 x 1-3/4	1	40	030627	Kit, GearSet	1
18	060014	Collar Axle w/set screw Assembly	2	41	706847	Hardware Kit (Not Shown)	1
19	060017	Fiat Washer, .06, .776, 1.25	2	42	018963	Plastic Axle Bearing	6
20	060019	Roller Pin, 5/32 x 1.25	1	43	060078	Grease Fitting, 1/4-28 X 3/16	2
21	060022	Roller Pin, 1/8 x 11/16	1	44	060018	Cotter Pin, 3/16 x 1-1/4	1
22	705552	Hex Cap Screw, 1/4-20 x 2	4				
23	092459	Bolt, 1/4-20 x .75 Thin Head SS	1				

Shut-Off Assembly - Figure 3 and Parts List

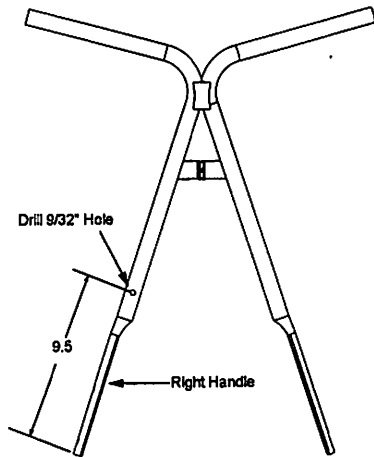


Ref. No.	Part No.	Description	Qty.	Ref. No.	Part No.	Description	Qty.
1	706825	Shut-off Plate	1	8	704186	Spring Clip	1
2	020492	Slide Lever	1	9	704539	Two Hole Weldment Plate	1
3	709945	Cotter Pin, 3/32 x 1/2 Lg	1	10	704955	Plate Shut-off Clip	3
4	060033	Flat Washer, 1/4"	1	11	704956	Plate Shut-off Spring	1
5	060036	Nylock Nut, 1/4-20	2	12	705630	Flat Washer	1
6	060060	Pivot Lever Assembly	1	13	705631	Index Washer Hex Screw, 8 x 3/8	3
7	060061	Pivot Lever Rod	1	14	705632	Index Washer Hex Screw, 8 x 5/8	1

The Optional Remote Deflector - Part No. 706250

Mounting Instructions

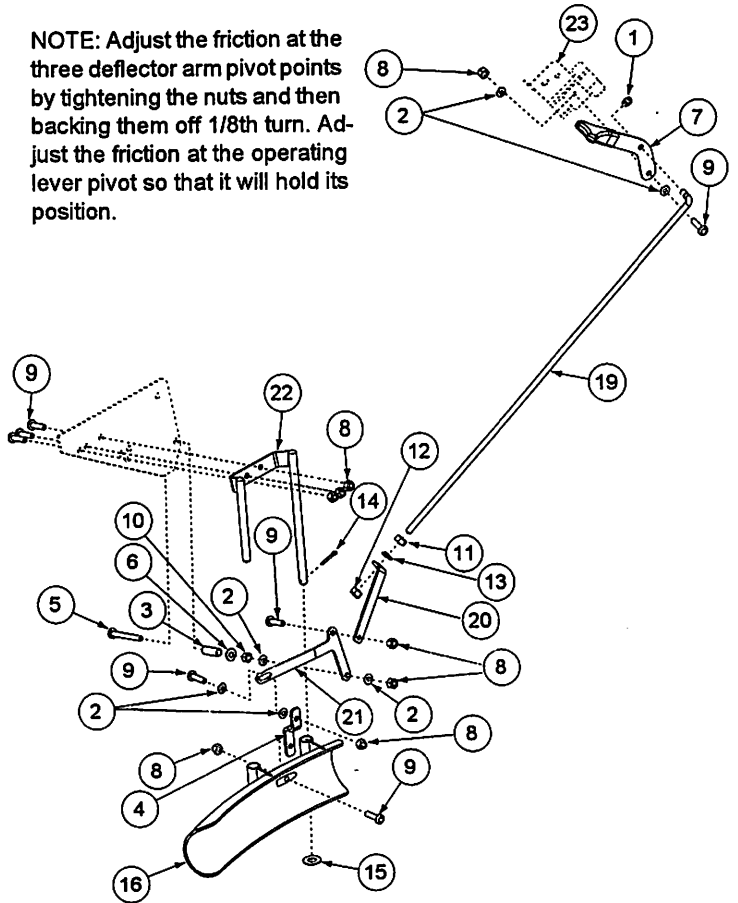
1. Install the deflector tube mount (ref. 22) onto the right side of the spreader frame (from the inside) as shown.
2. Install the tube bracket mount (ref. 21) to the right side of the frame using appropriate hardware as shown.
 - a. Install 1/4-20 x 2 (ref. 5) through frame plate using spacer (ref. 3), washer (ref. 6), and tighten using 1/4-20 nut (ref. 10).
 - b. Install nylon washer (ref. 2), bracket mount (ref.21) nylon washer (ref 2) and tighten nut (ref. 8) until bracket mount (ref. 21) easily turns.
3. Install offset bracket (ref. 4) onto deflector (ref.16)
 - a. Slide Long end of offset bracket into slot on deflector (ref.16)
 - b. Install 1/4-20 screw (ref. 9) and tighten sub assembly using 1/4-20 nut (ref. 8)



4. Slide deflector subassembly onto deflector tube mount (ref. 22)
 - a. Install washer (ref. 15) onto deflector tube mount and lock in place using cotter pin (ref. 14)
5. Fasten offset bracket (ref. 4) to bracket mount (ref. 21) using appropriate hardware.
 - a. Install 1/4-20 screw (ref. 9) and tighten sub assembly using 1/4-20 nut (ref. 8) until deflector (ref. 16) moves easily on deflector tube mount (ref. 22)
6. Install lever rod bracket (ref. 20) to bracket mount (ref. 21).
 - a. Install, making sure small flange of lever rod bracket faces to the inside of the spreader, using appropriate hardware.
7. Install remote bracket (ref. 23) onto right side of upper handle.
 - a. Install using one 1/4-20 (ref. 5) and one 1/4-20 nut (ref. 8)
8. Install operating lever (ref. 7) using appropriate hardware
9. Install rod (ref. 19) into operating lever (ref. 7) and into lever rod bracket (ref. 20)
10. Slide deflector up toward the bottom of the hopper as far as it will go.
11. Place the operating lever (ref. 7) i the "OFF" position and adjust the lock nut (ref. 11) so it is down against the lever rod bracket (ref. 20).
 - a. Tighten nylock nut (ref. 12) up against the underside of the lever rod bracket (ref. 20)

Ref. No.	Part No.	Description	Qty.
1	010171	Retainer "C" Clip	1
2	082452	Nylon Washer, 1/4	6
3	082454	Deflector Arm Mount Spacer	1
4	082455	Offset Bracket Deflector	1
5	060029	Machine Screw, 1/4-20x2	2
6	060033	Flat Washer, 1/4"	1
7	060034	Operating Lever and Rubber	1
8	060036	Lock Nut, Nylon Insert, 1/4	8
9	060057	Machine Screw Pan Head, 1/4-20x7/8	7
10	060059	Hex Nut, 1/4-20	1
11	060071	Hex Lock Nut, 5/16-18	1
12	060072	Nut, Nylon Insert, 5/16-18	1
13	060073	Lock Washer, 5/16	1
14	061052	Cotter Pin, 1/8 x 1	1
15	061053	Flat Washer, 3/8	1
16	061066	Deflector Tube, Plastic Only	1
17	-	-	-
18	-	-	-
19	706251	Deflector Actuator Rod	1
20	706252	Lever Rod Deflector Bracket	1
21	706253	Tube Bracket Mount, Lever, Deflector	1
22	706254	Deflector Tube Mount	1
23	030418	Remote Bracket	1

NOTE: Adjust the friction at the three deflector arm pivot points by tightening the nuts and then backing them off 1/8th turn. Adjust the friction at the operating lever pivot so that it will hold its position.



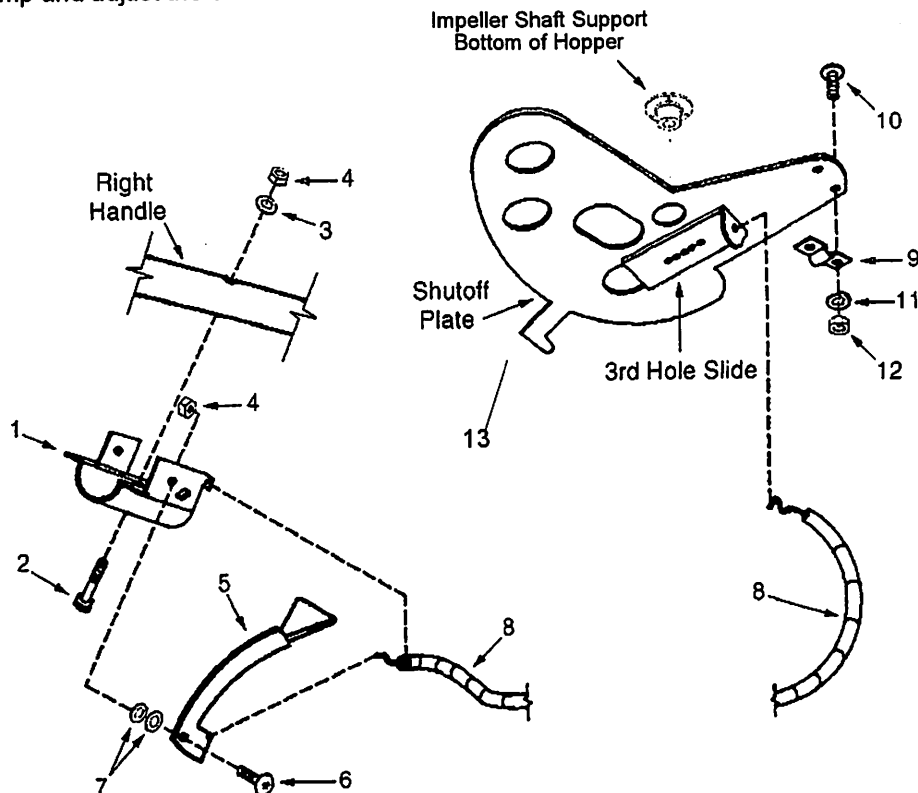
The Optional Remote 3rd Hole Slide - Lesco No. 082670

Mounting Instructions

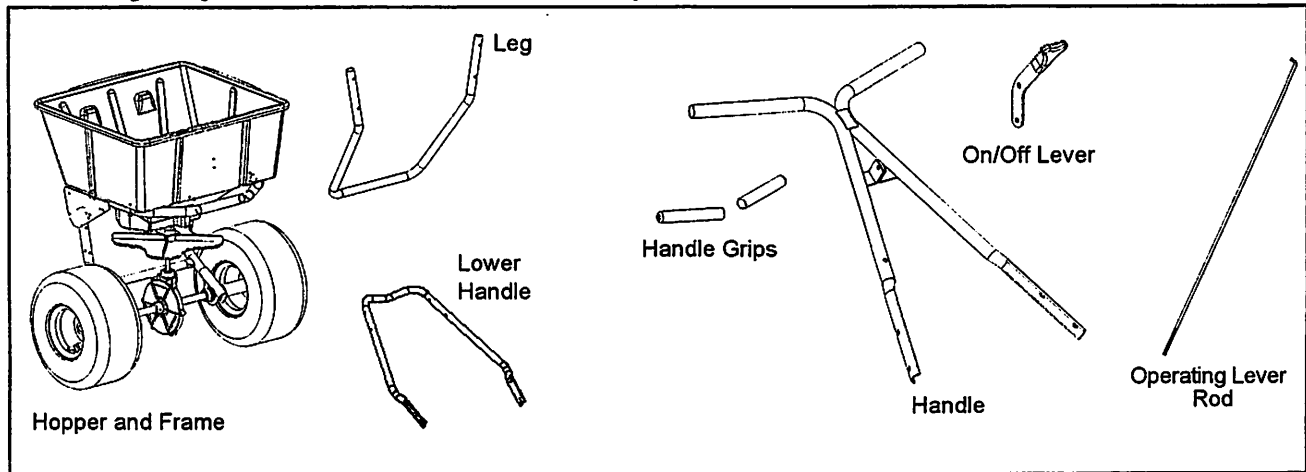
1. Mount the dual lever bracket (Ref. 1) to the right handle using one machine screw (Ref. 2), one flat washer (Ref. 3) and one hex nut (Ref. 4) as shown below.
2. Mount the dual remote lever (Ref. 5) to the dual lever bracket (Ref. 1) using one machine screw (Ref. 6), two nylon flat washers (Ref. 7) and one hex nut (Ref. 4) as shown below.
3. Slide the control cable (Ref. 8) through the hole in the dual remote lever and the cable housing into the fork of the dual lever bracket and pinch the forks around the cable groove.
4. With the dual remote lever pushed all the way forward attach the other end of the control cable to the hole in the 3rd hole slide. Push the slide fully closed and mount the cable housing to the shut off plate using the cable clamp (Ref. 9), two machine screws (Ref. 10), two lock washers (Ref. 11) and two hex nuts (Ref. 12) as shown below.
5. Work the dual remote lever back and forth to be sure that you are getting the full open and full closed positions of the 3rd hole slide. If not, loosen the cable clamp and adjust the cable.

Parts List

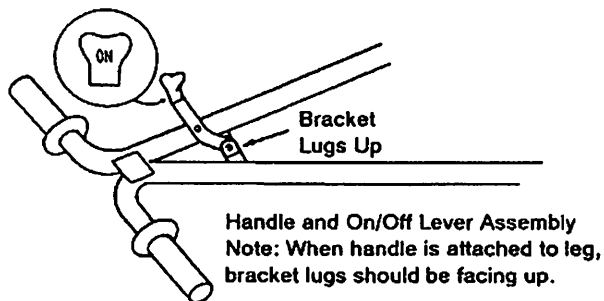
Ref. No.	Part No.	Description	Qty.
1	030418	Bracket, Dual Lever	1
2	060047	Machine Screw	1
3	060033	Flat Washer 1/4	1
4	060036	Hex Nut, 1/4-20 Nylock	2
5	030416	Lever, Dual Remote	1
6	060057	Machine Screw	1
7	082452	Flat Washer, 1/4 Nylon	2
8	030450	Control Cable	1
9	020511	Cable Clamp	1
10	031686	Machine Screw	2
11	060083	Lock Washer #8	2
12	060056	Hex Nut, #8-32	2
13	060054	Shut off Plate Assembly	1
	-020491	Remote Shut off Plate	1
	-020492	Slide Lever	1



Rotary Spreaders - Assembly Instructions



1. Remove the spreader components from the carton. You should find all of the parts shown above plus the Hardware Package. The Hardware Package contains:
 - 1 C-Clip
 - 1 Calibration Gauge (ODD)
 - 1 Calibration Gauge (EVEN)
 - 1 Calibration Gauge Chain
 - 1 Screw
 - 1 Hex Nut, 5/16-18
 - 1 Hex Nut, 5/16-18, Nylock
 - 1 Lock Washer, 5/16
 - 4 Hex Head Machine Screw, 1/4-20 x 2"
 - 4 Machine Screw, 1/4-20 x 1-1/2"
 - 4 Hex Screw, 1/4-20 x 3/4"
 - 13 Nylock Nut, 1/4-20
2. Install the leg to the hopper and frame assembly by fastening with 4 hex head machine screws, 1/4-20 x 2 and 4 locknuts, 1/4-20.
3. Attach the lower handle to the frame (with the "V" section of the closed section of the handle facing down) using 4 hex head screws, 1/4-20 x 3/4, and 4 nylock nuts, 1/4-20.
- NOTE: The bottom bolt on the deflector side must be installed with threads facing outward to avoid interference with the deflector.
4. Attach the upper handle to the lower handle (with the on/off bracket lugs facing up) using 4 machine screws, 1/4-20 x 1 1/2 and 4 nylock nuts, 1/4-20.
5. Fasten the on/off lever to the handle's bracket lugs using the screw in the bottom hole of the lever. Insert the screw from left to right, facing the rear of the hopper. Lock with the 1 nylon nut, 1/4-20.
6. Attach the operating lever rod to the pivot lever assembly at the bottom-rear of the hopper. First screw the 5/16 hex nut on the threaded end of the operating lever rod, add the 5/16 lock washer, then insert the rod through the hole in the pivot lever assembly and install the 5/16 locknut.
7. Attach the operating lever rod to the on/off lever by inserting the bent end of the rod into the top hole of the lever from left to right and install the C-clip.
8. Pull the on/off lever to the off position and move the shutoff plate assembly to the fully closed position by adjusting the 5/16 hex nuts on the bottom of the operating lever rod.
9. Place the handle grips on the handles.
10. Grease the axle bearings and the gear support.
11. Read the Lesco Spreader Calibration instructions packed with your spreader and calibrate following the instructions.





ROTARY SPREADER ONE-YEAR LIMITED WARRANTY

1. What Is Covered By This Warranty. LESCO, Inc. warrants, to the original purchaser only, that the Equipment that is the subject of this sale (a) conforms to LESCO's published specifications, and (b) is free from defects under normal service, for a one-year period from the original date of delivery. This warranty does not include damage to the Equipment resulting from occurrences set forth hereinafter in (2). If the purchaser discovers within this period a failure of the Equipment to conform to specifications or a defect in material or workmanship, they must promptly notify LESCO in writing of such claim. Any claims under this warranty must be received in writing by LESCO within 13 months from the date of original delivery. Within a reasonable time after such notification, LESCO will replace any defective component of the Equipment or part thereof. LESCO will provide the components or parts at LESCO's expense. Labor is to be performed by the original purchaser. (LESCO will provide purchaser a labor allowance at LESCO's current flat rate schedule.) LESCO will make the final determination as to the amount of hours to be reimbursed to the purchaser for labor. All defective parts shall be returned to LESCO if requested. These remedies are the original purchaser's exclusive remedies for breach of warranty.

2. What Is Not Covered By This Warranty. LESCO does not warrant (a) any product, components or parts not manufactured by LESCO; (b) defects caused by failure to provide a suitable installation environment for the Equipment; (c) damage caused by use of the Equipment for purposes other than those for which it was designed; (d) damage caused by accident or disasters such as fire, flood, wind and lightning; (e) damage caused by unauthorized attachments or modification; or (f) any other abuse or misuse of the Equipment.

3. EXCLUSIVE WARRANTY. THE FOREGOING WARRANTY IS EXCLUSIVE AND IN LIEU OF ALL OTHER WARRANTIES OR REMEDIES, WHETHER WRITTEN, ORAL OR IMPLIED. ANY AND ALL IMPLIED WARRANTIES OF MERCHANTABILITY, FITNESS FOR A PARTICULAR PURPOSE, COURSE OF DEALING OR USAGE OF TRADE ARE HEREBY EXPRESSLY DISCLAIMED AND EXCLUDED.

4. LIMITATION OF REMEDIES. UNDER NO CIRCUMSTANCES, EXCEPT TO THE EXTENT PROHIBITED BY APPLICABLE LAW, SHALL LESCO BE LIABLE FOR ANY LOSS OR DAMAGE, DIRECT OR INDIRECT, SPECIAL, INCIDENTAL OR CONSEQUENTIAL ARISING OUT OF THE USE OF OR INABILITY TO USE THIS EQUIPMENT INCLUDING BUT NOT LIMITED TO ANY CLAIM FOR LOSS OF PROFITS, LOSS OF SAVINGS OR REVENUE, LOSS OF USE OF THE EQUIPMENT OR ANY ASSOCIATED EQUIPMENT, FACILITIES OR SERVICE, DOWNTIME, THE CLAIMS OR COSTS OF THIRD PARTIES INCLUDING CUSTOMERS, AND INJURY TO PROPERTY. Some states do not allow limitations on how long an implied warranty lasts or the exclusion or limitation of incidental or consequential damages, so the above limitations or exclusion may not apply to you. This warranty gives you specific legal rights, and you may also have other rights which vary from state to state.

5. Time Limit For Claims. Any claim for breach of warranty or claims under this warranty must be received by LESCO within 13 months following delivery of the equipment.

6. No Other Warranties. Unless modified in writing signed by both parties, this agreement is understood to be the complete and exclusive agreement between the parties, superceding all prior agreements, oral or written, and all other communications between the parties relating to the subject matter of this agreement. No employee or representative of LESCO or any other party is authorized to make any other Warranty or to assume any other liability in connection with the sale of its Equipment.

7. Future Changes. LESCO reserves the right to reserve, change or modify the construction and design of its Equipment or any component part or parts thereof without incurring the obligations to make such changes or modifications in present equipment.

8. Allocation Of Risks. This agreement allocates the risks of equipment failure between LESCO and the original purchaser. This allocation is recognized by both parties and is reflected in the price of the goods. THE PURCHASER ACKNOWLEDGES THAT IT HAS READ THIS AGREEMENT, UNDERSTANDS IT, AND IS BOUND BY ITS TERMS.

9. How To Contact LESCO. If during the warranty period, the LESCO Rotary Spreader does not function properly due to defect, simply contact the LESCO Service Department:

LESCO, Inc. 800-347-4272
1060 Windward Ridge Parkway, Suite 170
Alpharetta, Georgia 30005

TO ORDER PARTS WWW.MKRITTENHOUSE.COM

1-800-461-1041