



**JOHN DEERE**  
LANDSCAPES

# 36" DROP SPREADER

w/ Pneumatic Wheels

Model: 092474

---

# OPERATOR'S MANUAL AND PARTS LIST

Model: 092474

Serial Number: \_\_\_\_\_

---

Date: 1/1/2009 Rev 0
-------------------------

# Assembly Instructions

## 1. ASSEMBLE ROTORS

Place hopper upside down, unsnaps and remove bottom and slide assembly. Loosen wing nuts on bearing retainers in place and remove bearings. Slide end washer and bearing onto each rotor and insert rotors into hopper's center bearing, repositioning bearings on hopper bottom. Reposition bottom and slide, securing with six snap latches.



## 2. ASSEMBLE SPREAD PLATE, WHEELS

Secure one bearing retainer in place with SAE washer and wing nut. Be sure retainer prongs are centered on bearing and prongs for spread plate project away from handle side. Slide spread plate assembly onto retainer rod. NOTE: Smooth side is towards variable-rate bottom for use as spread plate. Rubberized side is used toward fixed-rate bottom to act as shutoff.

Insert prong of other bearing retainer into other end of spread plate and tighten retainer with SAE washer and wing nut so retainer is centered on bearing. Check to see that retainers are centered equally so spread plate is parallel to hopper bottom. Attach wheels on ends of rotors using hair pin cotters.



## 3. ASSEMBLE HANDLE

Thread right angle of shutoff lever upwards through lower lever guide look on parking leg. NOTE: *This places the "upset" on shutoff lever below the guide to prevent lever from pulling up and out of the flange on the bottom when in operation.*

From top, slide on eyebolt crank guide, Slide lever guide loop on handle over top end of shutoff lever. Attach parking leg to handle, using two 5/16×2-1/2"hex bolts and lock nuts. Leave loose.



#### 4. ASSEMBLE SHUTOFF LEVER FOR FIXED-RATE BOTTOM

Attach lever lock plate to top side of handle using two 1/4 x 1-1/2" carriage bolts and whiz lock flange nuts. Leave loose. Place shutoff lever upward through lever lock.

Slide shutoff guide onto lower end of shutoff lever and attach to handle with hex bolt and lock nut in place. Tighten Bolts securing parking leg to handle.



#### 5. ATTACH HANDLE ASSEMBLY

Remove the whiz lock flange nut from stud located on the cam gauge side of the hopper. Attach end of handle-parking leg assembly to stud with whiz lock flange nut just removed. Be sure shutoff lever for variable-rate bottom is in slot of flange on shutoff slide.

Attach key ring to flat end of sash chain. Attach key ring to lower end of shutoff lever. Place other end of sash chain through hole in spread plate and secure with hair pin cotter.



#### 6. INSTALL BRACE

Turn spreader upright. Attach angle brace to hopper ends using 1/4" x 1/2" hex bolts and whiz lock flange nuts. Secure center brace and, from below, eyebolt guide to middle hole of handle with 1/4" x 1 3/4" hex bolt and lock nut. NOTE: Brace has "U" indentation upwards.



## 7. GRIPS

Place grips on each end of handle and on both shutoff levers.



## 8. LIFT HANDLE

Attach lift handle to front side of spreader hopper using two  $1/4 \times 5/8$ " hex bolts and whiz lock flange nuts.



## 9. FIXED-RATE BOTTOM AND SHUTOFF

To use fixed-rate bottom, remove one wheel, unpin sash chain from spread plate, and loosen bearing retainer. Unsnap existing variable-rate bottom and slide, and re-place with fixed-rate bottom. Secure in place with snap latches. Remove spread plate and reverse so rubberized side will seal fixed-rate bottom when pulled up against it. Reposition spread plate on retainer prongs and secure bearing retainers in place, Re-attach wheel.

Re-attach sash chain through spread plate shutoff using Hair pin cotter. Adjust tension on chain-lever shutoff if necessary by adjusting position of lever lock plate on handle.



# MAINTENANCE

## Empty When Finished, Remove Hopper Bottom and Rotors

1. After hopper has been emptied, turn hopper over, pull out hair pin cotters and remove wheels.
2. Loosen wing nuts securing bearing retainers. Slide off spread plate and set aside.
3. Loosen the latches that secure bottom and slide to hopper. Remove bottom. Remove rotors and end bearings.
4. Wipe all parts clean.
5. **Place a few drops of oil on the end and center bearings after each use.** The bearings are oil impregnated and will replenish themselves to their absorption capacity. Some materials have a fine powder in the mixture, so it may be necessary to oil the bearings more often to prevent the powder from working into them.
6. Reassemble.

### IF NECESSARY, REMOVE SLIDE FROM HOPPER BOTTOM FOR CLEANING

7. If some materials build up on the hopper bottom, especially when humidity is high, disassemble the slide assembly by removing the nuts, nylon washers and slide hanger. Wipe clean.
8. Reassemble slide on hopper bottom. For proper slide tension when reassembling slide, gently drive the hanger to the left until the dimple in the slide hanger and bottom match. Secure slide hanger with nylon washers and nuts.

## Calibration/Application

### 1. DETERMINE APPLICATION SPEED

Use these distance traveled in one minute:

1mph 88ft	2mph 176ft	3mph 264ft	4mph 352ft	5mph 440ft
1km/h 16.67m	2km/h 33.34m	3km/h 40m	4km/h 66.68m	5km/h 83.35m

### 2. SET GAUGE

Refer to the product charts for your spreader to find the suggested gauge setting. Move gauge away from the stop before attempting adjustment. Turn gauge to desired number, using the top surface of the stop as the setting indicator.

You can 'fine tune' the gauge with extreme precision. The gauge is marked in increments of one. If you adjust one tenth of one gauge stop, from 27.7 to 27.8, for example, the slide will open approximately one thousandth of an inch more.

**Remember the settings in the charts are guides for beginning.**

Check your results as outlined in Step 3 and make adjustments as necessary. **NOTE:** Always move the gauge away from the stop before attempting to set the gauge.

### 3. CHECK RATE

Making a precision application is now simply a matter of filling up the hopper, moving the lever so the gauge is against the stop, walking at your selected speed, and checking your rate.

Most rates are expressed in terms of pounds applied per thousand square feet. Check your rate as follows;

Fill the hopper lever full. Treat a known area, such as 1,000 square feet. Take enough material to more than fill the hopper level again and weigh it. Refill the hopper level full and weigh the material left over to see how much was applied on the 1,000 feet. If necessary, adjust gauge up or down and check again.

You can make the check on smaller areas, such as 500 square feet, or 250 square feet, using 1/2 or 1/4 of the rate per 1,000 square feet.

It is important that you check your rate to see that the setting you chose from the chart is giving you the results you want. Atmospheric conditions alone can affect the flow of materials.

**CAUTION:** When applying high potency fertilizer that will burn, be sure to be moving when beginning application.

## SPECIFICATIONS

**Model** - No.012587,36-Inch(92cm) hopper with handle.  
**Hopper Capacity** - 1.8cu.ft (50cu.dm.), approximately 120lbs. (52kg). Hopper capacity is based on fertilizer weighing 65lbs. Per cu.ft.

**Rotor** - Three rods spaced uniformly around rotor.

**Rotor Bearing** - Porous, oil-impregnated, sintered bronze alloy, sleeve type.

**Rate Gauge** - Precision cam gauge.

**Rate Chart** - Suggested settings for many materials provided to begin calibration check.

**Hopper Bottom and Rate Control Slide** - Stainless steel bottom and slide micro-precision mated. Openings uniform for all gauge settings. Snaps off for cleaning.

**Shut-Off** - Crank lever closes slide of standard variable rate bottom

**Wheel** - Rubber-tired 12-inch molded plastic tire, 2.24-inch wide.

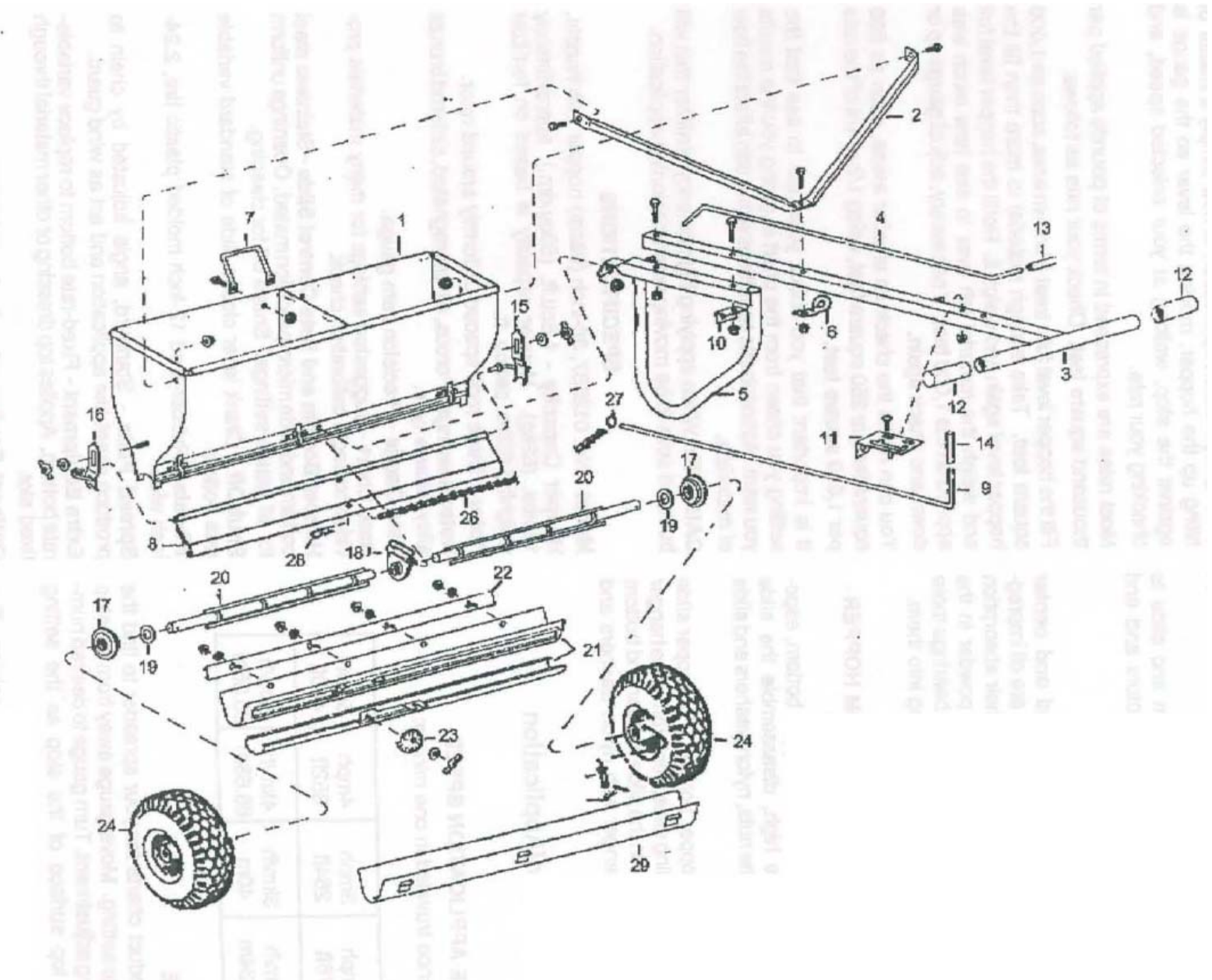
**Spread Plate** - Standard, angle adjusted by chain to produce sheet-like application and act as wind guard.

**Extra Equipment** - Fixed-rate bottom to replace variable-rate bottom. Applies top dressing or other material through fixed slot.

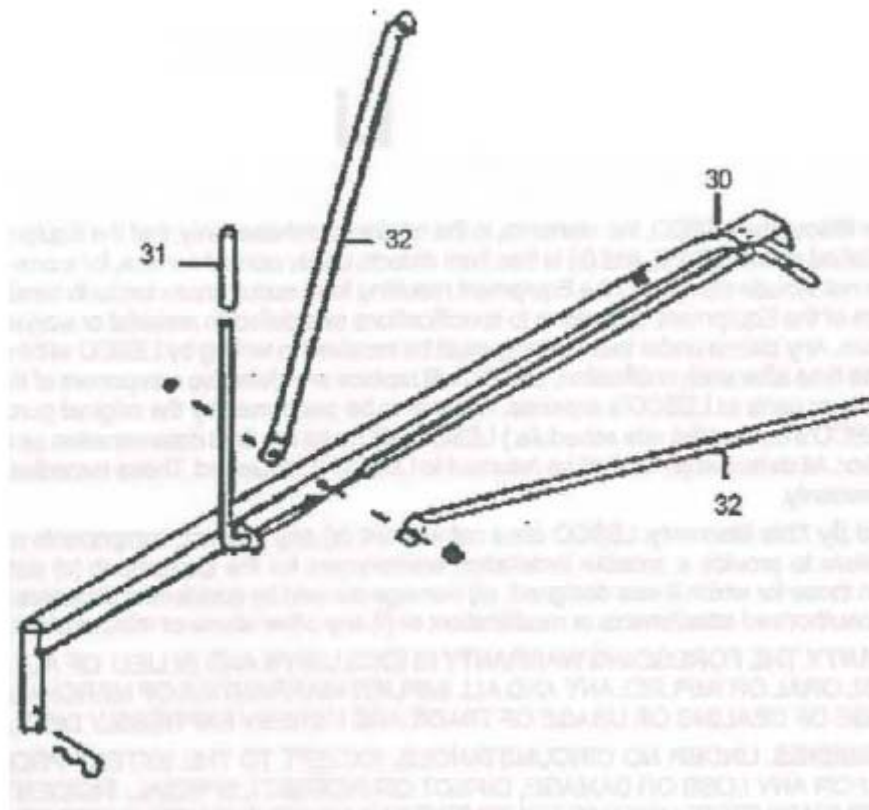
**Optional Equipment** - Jiggler (28368759) to fit inside hopper to vibrate against rotors as they turn and provide agitation for material being applied; requires two per spreader. Tractor tow hitch (2808887) for use in place of push handle.

**Shipping weight** - 61 pounds.

# 36" Drop Spreader



# HITCH ASSEMBLY



JDL No.	Description	Qty	JDL No.	Description	Qty		
1	015960	Hopper body	1	19	017188	End washer, rotor	2
2	016061	Brace, handle	1	20	017119	Rotor bar, tri rod	2
3	017100	Handle	1	21	017122	Bottom and slide	1
4	017087	Shutoff lever	1	22	017121	Slide hanger	1
5	017074	Parking Leg	1	23	017123	Cam Gauge	1
6	092501	Guide, shutoff lever	1	24	018383	Wheels pneumatic	2
7	030952	Lift, Handle	1	26	017127	#50 Sash chain	1
8	034394	Spread Plate	1	27	034392	Key ring	1
9	030882	Lever, shutoff	1	28	017125	Hair pin cotter	1
10	092502	Guide Shutoff	1	29	017129	Fixed-rate bottom 1/2"	1
11	020148	Lever lock	1	31	017130	Grip shutoff lever	1
12	092503	Grip, Handle	2	33	014546	Jigglers	2
13	017114	Grip, shutoff	1				
14	092504	Grip, lever	1				
15	030843	Retainer, end bearing L	1				
16	030844	Retainer, end bearing R	1				
17	017117	End Bearing	2				
18	017120	Center bearing	1				

## Equipment One-Year Limited Warranty

**1. What Is Covered By This Warranty.** JOHN DEERE LANDSCAPES warrants, to the original purchaser only, that the Equipment that is the subject of this sale(a) conforms to JOHN DEERE LANDSCAPES's published specifications, and (b) is free from defects under normal service, for a one-year period from the original date of delivery. This warranty does not include damage to the Equipment resulting from occurrences set forth hereinafter in (2). If the purchaser discovers within this period a failure of the Equipment to conform to specifications or a defect in material or workmanship, they must promptly notify JOHN DEERE LANDSCAPES in writing of such claim. Any claims under this warranty must be received in writing by JOHN DEERE LANDSCAPES within 13 months from the date of original delivery. Within a reasonable time after such notification, JOHN DEERE LANDSCAPES will replace any defective component of the Equipment or part thereof. JOHN DEERE LANDSCAPES will provide the components or parts at JOHN DEERE LANDSCAPES's expense. Labor is to be performed by the original purchaser. (JOHN DEERE LANDSCAPES will provide purchaser allowance at JOHN DEERE LANDSCAPES's current flat rate schedule.) JOHN DEERE LANDSCAPES will make the final determination as to the amount of hours to be reimbursed to the purchaser for labor. All defective parts shall be returned to JOHN DEERE LANDSCAPES if requested. These remedies are the original purchaser's exclusive remedies for breach of warranty.

**2. What Is Not Covered By This Warranty.** JOHN DEERE LANDSCAPES does not warrant(a) any product, components or parts not manufactured by JOHN DEERE LANDSCAPES; (b) defects caused by failure to provide a suitable installation environment for the Equipment; (c) damage caused by use of the Equipment for purposes other than those for which it was designed; (d) damage caused by accident or disasters such as a fire, flood, wind and lightning; (e) damage caused by unauthorized attachments or modification; or (f) any other abuse or misuse of the Equipment.

**3. EXCLUSIVE WARRANTY.** THE FOREGOING WARRANTY IS EXCLUSIVE AND IN LIEU OF ALL OTHER WARRANTY OR REMEDIES, WHETHER WRITTEN, ORAL OR IMPLIED. ANY AND ALL IMPLIED WARRANTIES OF MERCHANTABILITY, FITNESS FOR A PARTICULAR PURPOSE, COURSE OF DEALING OR USAGE OF TRADE ARE HEREBY EXPRESSLY DISCLAIMED AND EXCLUDED.

**4. LIMITATION OF REMEDIES.** UNDER NO CIRCUMSTANCES, EXCEPT TO THE EXTENT PROHIBITED BY APPLICABLE LAW. SHALL JOHN DEERE LANDSCAPES BE LIABLE FOR ANY LOSS OR DAMAGE, DIRECT OR INDIRECT. SPECIAL, INCIDENTAL OR CONSEQUENTIAL ARISING OUT OF THE USE OF OR INABILITY TO USE THIS EQUIPMENT INCLUDING BUT NOT LIMITED TO ANY CLAIM FOR LOSS OF PROFITS, LOSS OF SAVINGS OR REVENUE, LOSS OF USE OF THE EQUIPMENT OR ANY ASSOCIATED EQUIPMENT, FACILITIES OR SERVICE, DOWNTIME, THE CLAIMS OR COSTS OF THIRD PARTIES INCLUDING CUSTOMERS, AND INJURY TO PROPERTY.

Some states do not allow limitations on how long an implied warranty lasts or the exclusion or limitation of incidental or consequential damages, so the above limitations or exclusion may not apply to you. This warranty gives you specific legal rights, and you may also have other rights which vary from state to state.

**5. Time Limit For Claims.** Any claim for breach of warranty or claims under this warranty must be received by JOHN DEERE LANDSCAPES within 13 months following delivery of the equipment.

**6. No Other Warranties.** Unless modified in writing signed by both parties, this agreement is understood to be the complete and exclusive agreement between the parties, superceding all prior agreements, oral or written, and all other communications between the parties relating to the subject matter of this agreement. No employee or representative of JOHN DEERE LANDSCAPES or any other party is authorized to make any other warranty or to assume any other liability in connection with the sale of its Equipment.

**7. Future Changes.** JOHN DEERE LANDSCAPES reserves the right to reserve, change or modify the construction and design of its Equipment or any component part or parts thereof without incurring the obligations to make such changes or modifications in present equipment.

**8. Allocation Of Risks.** This agreement allocates the risks of equipment failure between JOHN DEERE LANDSCAPES and the original purchaser. This allocation is recognized by both parties and is reflected in the price of the goods. THE PURCHASER ACKNOWLEDGES THAT IT HAS READ THIS AGREEMENT, UNDERSTANDS IT, AND IS BOUND BY ITS TERMS.

**9. How To Contact JOHN DEERE LANDSCAPES.** If during the warranty period, the JOHN DEERE LANDSCAPES EQUIPMENT does not function properly due to defect, simply contact the JOHN DEERE LANDSCAPES Service Department.

**John Deere Landscapes Technical Services**  
1301 East 9<sup>th</sup> Street, Suite 1300  
Cleveland, OH 44114-1849 800-321-5325  
Equipment Ext 6200 Agronomic Ext 6150

### HOW TO ORDER PARTS

Contact your JOHN DEERE LANDSCAPES Salesperson, OR phone us (use the numbers above), OR write us (use the address above). We will need the following information:

1. Your account number if available.
2. Your name and address and the address where you want the parts to be shipped.
3. The Model/Serial No. of the equipment.
4. The JOHN DEERE LANDSCAPES Part No. and the quantity desired. (Please do not use reference numbers.)

*NOTE: Inspect all shipments on receipt for damage or missing parts. File a claim with the carrier before accepting a damaged shipment.*

We reserve the right to change designs, specifications and equipment at any time without notice and without incurring any obligations.

**John Deere Landscapes Technical Services 1301 East 9<sup>th</sup> Street, Suite 1300**  
Cleveland, OH 44114-1849 800-321-5325 Equipment Ext 6200 Agronomic Ext 4200

