

### Models ZKW1, ZKW11, ZKW1L, ZKW11L UNITROL PRESSURE CONTROL SET

with Chemical Injector\*



*General Pump recommends using a safety relief device in conjunction with this unloader valve when installed on a positive displacement pump. General Pump is not liable and assumes no responsibility for this valve when used in a customer's high pressure system.*

#### FEATURES

- Reduces Cost - Eliminates the need for fittings and bypass hose.
- Compact Design - Features forged brass body and hardware.
- Versatile - Mounts in seconds to either side of pump manifold.
- Adjustable Unloader Valve - Trapped pressure type with internal bypass system.
- Built-In Chemical Injector - Includes variable metering adjustment.

#### SPECIFICATIONS

Flow Range:	ZKW1, ZKW1L ZKW11, ZKW11L	2.0 - 3.0 GPM 3.0 - 4.0 GPM
Maximum Pressure		1600 PSI
Maximum Temperature		165° F
Inlet Port:	ZKW1, ZKW11 ZKW1L, ZKW11L	3/8-19 BSP-F 1/2-14 BSP-F
Outlet Port:		3/8-19 BSP-M
Chemical Inlet		1/4 in. I.D. Hose
Weight		2.5 lbs.
Dimensions		7.25" x 2.75" x 5.25"

#### Model ZKW1, ZKW1L

#### 2.0 - 3.0 GPM

Model ZKW1

TT551, TT561, TT741, TT751, TT901

used on pump models:

TT931, T9051, TT9061, TT9071, TS1021

Model ZKW1L

T521, T531, T701, T721, T731, T981

used on pump models:

T9721, T9731, T9791

#### Model ZKW11, ZKW11L

#### 3.0 - 4.0 GPM

Model ZKW11

TT661, TT941

used on pump models:

Model ZKW11L

T711, T911, T991, T9951, T9961

used on pump modeld:

- \*Notes: 1. All Unitrol models may be ordered without chemical injector by adding suffic letters "SC" to order.  
2. Optional suction nipple/o-ring available - see parts list.



General Pump  
is a member of  
the Interpump Group



# ZKW1 SERIES

## Control Set

### PARTS LIST

#### ZKW1 Pressure Control Set

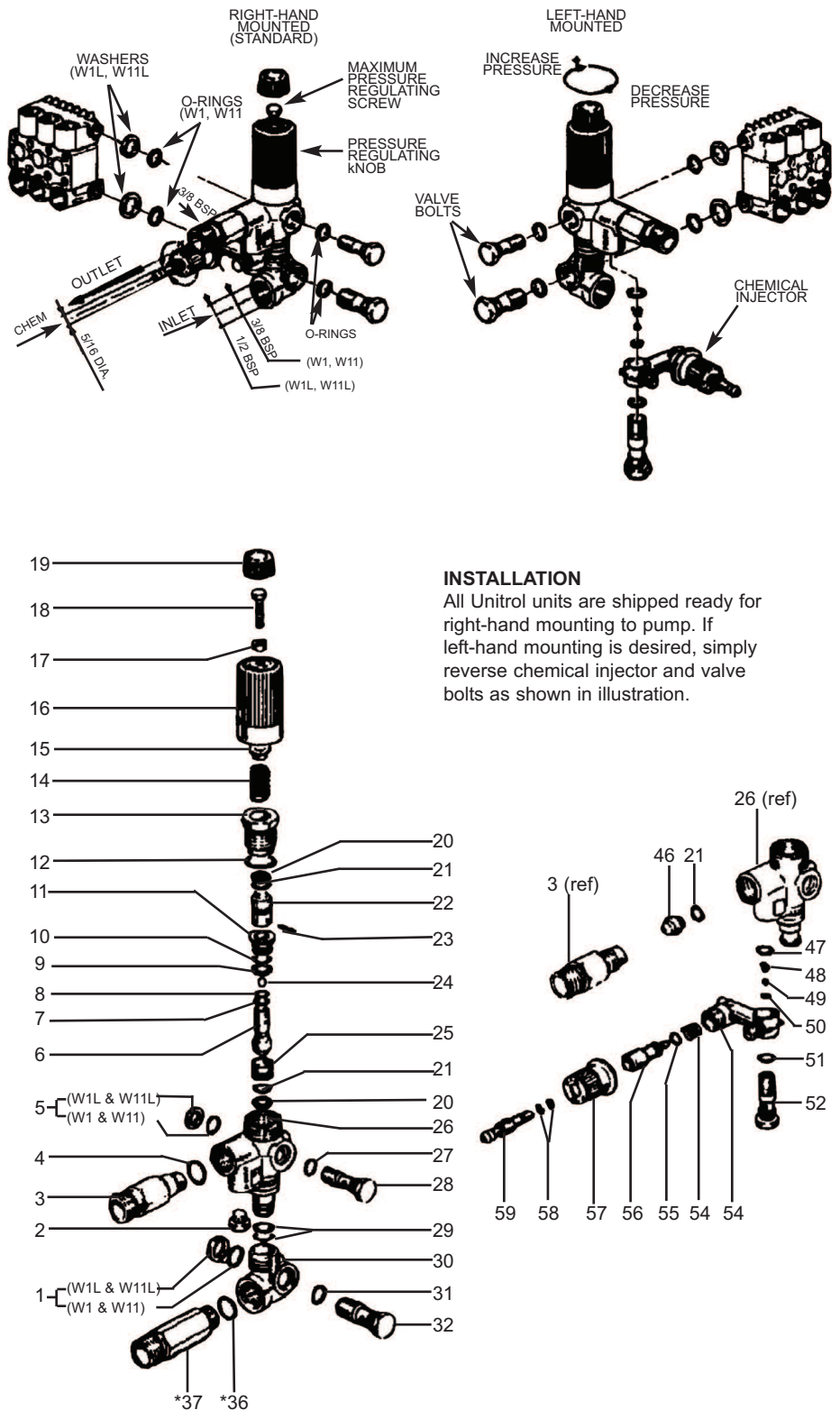
No.	Part No.	Description	Repair Kit	Qty.
1.	90383900	O-ring, 15.88x2.62	W1, W11	1
	93197200	Washer	W1L, W11L	1
2.	98205700	Cap, M14 x 1.5		1
3.	10007870	Nipple		1
4.	90383200	O-ring, 13.95x2.62	KIT94	1
5.	90383300	O-ring	W1, W11	1
	93185800	Washer	W1L, W11L	1
6.	36316766	Valve	KIT98	1
7.	90502500	Anti-ex. Ring	KIT98	1
8.	90357500	O-ring	KIT98	1
9.	90507500	Anti-ex. Ring	KIT98	1
10.	90358900	O-ring	KIT98	1
11.	36316570	Valve Guide	KIT98	1
12.	90384700	O-ring	KIT98	1
13.	36316670	Bushing Guide	KIT98	1
14.	94743600	Spring		1
15.	36316970	Spring Plate		1
16.	36317102	Knob		1
17.	92220000	Nut		1
18.	99305200	Screw		1
19.	36317251	Cap		1
20.	90506500	Anti-ex. Ring	KIT98	2
21.	90382200	O-ring	KIT94, 98	2
22.	36316866	Control Piston	KIT98	1
23.	97613200	Pin	KIT98	1
24.	97480000	Ball	KIT98	1
25.	36316466	Valve Seat	KIT98	1
26.	36316301	Valve Body	W1, W11	1
	36317301	Valve Body	W1L, W11L	1
27.	90382000	O-ring	W1, W11	1
	90382700	O-ring	W1L, W11L	1
28.	36256770	Valve Bolt	W1, W11	1
	36256870	Valve Bolt	W1L, W11L	1
29.	90382500	O-ring		1
30.	36315222	Connector	W1, W11	1
	36317422	Connector	W1L, W11L	1
31.	90382700	O-ring	W1, W11	1
	90384100	O-ring	W1L, W11L	1
32.	36256870	Valve Bolt	W1, W11	1
	36317570	Valve Bolt	W1L, W11L	1
*36.	90359100	O-ring		1
*37.	36258470	Suction Nipple		1
46.	10015166	Nozzle, 2.1-2.9 GPM	W1, W1L	1
	10076666	Nozzle, 3.1-3.9 GPM	W11, W11L	1
47.	90358200	O-ring	KIT94	1
48.	94821700	Taper Spring	KIT94	1
49.	97478200	Ball	KIT94	1
50.	90357200	O-ring	KIT94	1
51.	90358500	O-ring	KIT94	1
52.	36256370	Chem. Valve Seat		1
53.	36256251	Chem. Injector Body		1
54.	94738300	Spring	KIT94	1
55.	90358000	O-ring	KIT94	1
56.	36256470	Injector Shutter		1
57.	36256551	Chem. Regulation Knob		1
58.	90357000	O-ring	KIT94	2
59.	36256670	Hose Barb Fitting		1

#### Repair Kit 94

Includes No.'s: 4, 21, 47, 48, 49, 50, 51, 54, 55, 58

#### Repair Kit 98

Includes No.'s: 6, 7, 8, 9, 10, 11, 12, 13, 20, 21, 22, 23, 24, 25



#### INSTALLATION

All Unitrol units are shipped ready for right-hand mounting to pump. If left-hand mounting is desired, simply reverse chemical injector and valve bolts as shown in illustration.