

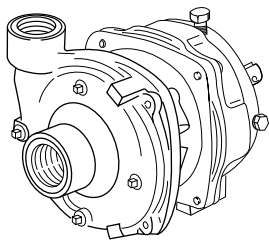
# Installation, Operation, Repair and Parts Manual

03-01

## Description

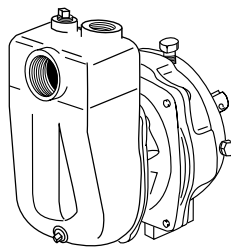
Hypro Centrifugal Pumps handle big, high capacity farm spraying jobs with ease. Use them for spraying liquid fertilizers and other chemicals, including wetttable powder slurries for weed control. Make short work of other farm jobs - filling nurse tanks, watering seed beds, and transferring liquids.

Available in a variety of models, Hypro centrifugal pumps give you the choice of economical simple belt drive, or sturdy, smooth running oil-bath gear driven units. Many models are also available in lightweight polypropylene (pump portion only) for resistance to corrosive liquids such as acid based fertilizers.



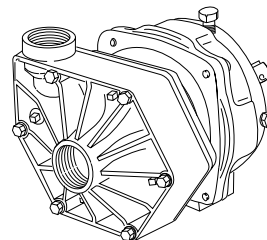
**SERIES 9000C-O**  
Cast Iron, Gear-Driven  
Centrifugal Pump

**Max. Flow Rate:** ..... 118 gpm  
**Max. Pressure:** ..... 80 psi  
**Max. Speed:** ..... 1000 rpm  
**Ports:** ..... 1-1/2" NPT inlet  
1-1/4" NPT outlet



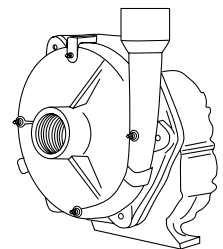
**SERIES 9000C-O-SP**  
Cast Iron, Gear-Driven,  
Self-Priming  
Centrifugal Pump

**Max. Flow Rate:** .. 117-119 gpm  
**Max. Pressure:** ..... 68-77 psi  
**Max. Speed:** ... 600 Or 1000 rpm  
**Ports:** ..... 1-1/2"NPT inlet  
1-1/4" NPT outlet



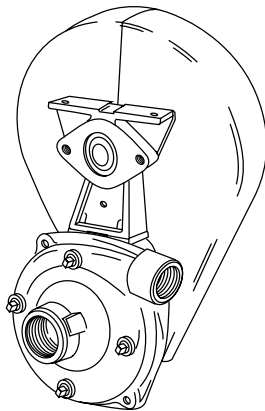
**SERIES 9000P-O**  
Polypropylene, Gear-Driven  
Centrifugal Pump

**Max. Flow Rate:** ..... 93 gpm  
**Max. Pressure:** ..... 80 psi  
**Max. Speed:** ..... 1000 rpm  
**Ports:** ..... 1-1/2" NPT inlet  
1-1/4" NPT outlet



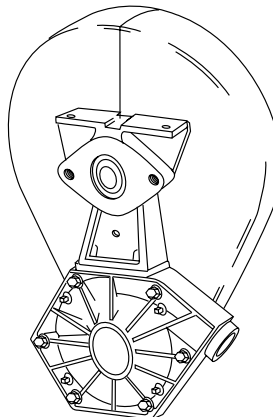
**SERIES 9046C/9048C**  
Cast Iron, Gear-Driven  
Centrifugal Pump

**Max. Flow Rate:** ..... 180 gpm  
**Max. Pressure:** ..... 130 psi  
**Max. Speed:** .. 540 rpm (9046C)  
1000 rpm (9048C)  
**Ports:** ..... 2" NPT inlet  
1-1/2" NPT outlet



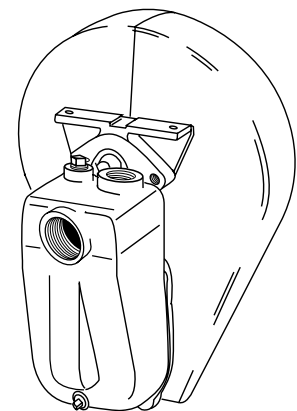
**SERIES 9402C, 9403C**  
Cast Iron & 9403S  
Stainless Steel, Belt-  
Driven Centrifugal Pumps

**Max. Flow Rate:** .... 84-140 gpm  
**Max. Pressure:** ..... 95-104 psi  
**Max. Speed:** 600 and 1000 rpm  
**Ports:** .. 1-1/4" or 1-1/2" NPT inlet  
1" or 1-1/4" NPT outlet



**SERIES 9403P**  
Polypropylene, Belt-Driven  
Centrifugal Pump

**Max. Flow Rate:** ..... 86 gpm  
**Max. Pressure:** ..... 82 psi  
**Max. Speed:** ... 600 or 1000 rpm  
**Ports:** ..... 1-1/2" NPT inlet  
1-1/4" NPT outlet



**SERIES 9403C-SP**  
Cast Iron, Belt-Driven,  
Self-Priming  
Centrifugal Pump

**Max. Flow Rate:** ..... 112 gpm  
**Max. Pressure:** ..... 100 psi  
**Max. Speed:** ... 600 or 1000 rpm  
**Ports:** ..... 1-1/2" NPT inlet  
1-1/4" NPT outlet

## General Safety Information

### NOTE

Notes are used to notify of installation, operation, or maintenance information that is important but not safety related.

### CAUTION

Caution is used to indicate the presence of a hazard, which will or can cause minor injury or property damage if the notice is ignored.

### WARNING

Warning denotes that a potential hazard exists and indicates procedures that must be followed exactly to either eliminate or reduce the hazard, and to avoid serious personal injury, or prevent future safety problems with the product.

### DANGER

Danger is used to indicate the presence of a hazard that will result in severe personal injury, death, or property damage if the notice is ignored.

### DANGER

Do not pump flammable or explosive fluids such as gasoline, fuel oil, kerosene, etc. Do not use in explosive atmospheres. The Pump should only be used with liquids compatible with the Pump materials. Failure to follow this notice can result in severe personal injury and/or property damage and will void the product warranty.

### WARNING

The sound pressure level of the Pump may exceed 80dBA. Observe all safety precautions when operating the Pump within close proximity for extended periods by wearing hearing protectors. Extended exposure to elevated sound levels will result in permanent loss of hearing acuteness, tinnitus, tiredness, stress, and other effects such as loss of balance and awareness.

### CAUTION

Do not pump at pressures higher than the maximum recommended pressure.

Operate the Pump between a temperature range of 45° to 140° F [7° to 60° C].

Make certain that the power source conforms to the requirements of your equipment.

Provide adequate protection in guarding around the moving parts such as shafts and pulleys.

### CAUTION

Disconnect the power before servicing.

Release all pressure within the system before servicing any component.

Drain all liquids from the system before servicing.

Secure the discharge line before starting the Pump. An unsecured discharge line may whip, resulting in personal injury and/or property damage.

Check all hoses for weak or worn condition before each use. Make certain that all connections are tight and secure.

Periodically inspect the Pump and the system components. Perform routine maintenance as required.

Use only pipe, hose, and hose fittings rated for maximum rated pressure of the Pump or the pressure at which the Pressure Relief Valve is set at. Do not use used pipe.

Do not use these Pumps for pumping water or other liquids for human or animal consumption.

## Hazardous Substance Alert

1. Always drain and flush Pump before servicing or disassembling for any reason (see instructions).
2. Always drain and flush Pumps prior to returning unit for repair.
3. Never store Pumps containing hazardous chemicals.
4. Before returning Pump for service/repair, drain out all liquids and flush unit with neutralizing liquid. Then, drain the Pump. Attach tag or include written notice certifying that this has been done.

### NOTE

It is illegal to ship or transport any hazardous chemicals without United States Environmental Protection Agency Licensing.

## Drive Source Installation

This manual will cover the installation of the basic drive configurations available for belt and gear-drive Hypro Centrifugal Pumps. Consult the manufacturer of your

tractor, motor or engine for additional information. Read all instructions and general safety information before attempting to install or operate the Pump.

## Tractor PTO Installation

### Series 9400 Belt Drive Centrifugal Pumps

Series 9400 Pumps are designed for ease of installation and removal with tractor mounted sprayers. Hollow shaft models come equipped with Hypro's unique locking collar designed to hold the pump driver hub more securely on the PTO shaft. Refer to following section for proper installation of the locking collar. Pump life is increased by reducing both Pump Driver Hub and PTO shaft wear due to vibration.

To prevent Pump from turning on PTO shaft, install a torque chain as follows:

1. Remove one Pump Casing Outboard Bolt (farthest away from the PTO shaft). Using a 1/4" longer Bolt and two Flat Washers, attach a length of Chain or other flexible fastener to the Bolt between the Washers (See Figure 1) and insert them into the Pump Casing in place of the Bolt removed. Secure the other end of the Torque Chain to something solid on the tractor, preferably above the Pump rather than below. If it cannot be attached to anything above the Pump, it may be fastened to the draw bar or frame directly below the Pump.
2. The Torque Chain must be in a straight upward or downward line from the Pump, as any sideways pull may damage the Pump Bearings. The Torque Chain should have some slack in it to allow the Pump to "float" on the PTO shaft during operation.
3. To prevent start-up shock, a Spring should be attached to the Torque Chain. Secure end of the Spring to something solid in the same manner as using a Torque Chain alone.

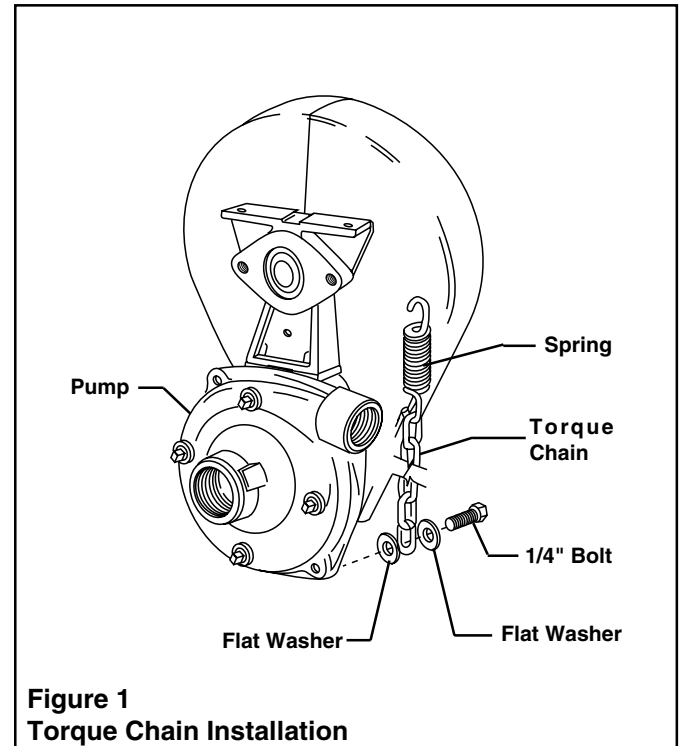


Figure 1  
Torque Chain Installation

### Tumble Rod Drive (Belt Drive Pump)

Two mounting holes are predrilled and tapped on the adjustment arm of unit for attachment to sprayer frame. Use lockwashers to assure secure mounting. Tumblerod can be connected directly to driver shaft or with an adapter.

#### **CAUTION**

Caution must be exercised to insure:

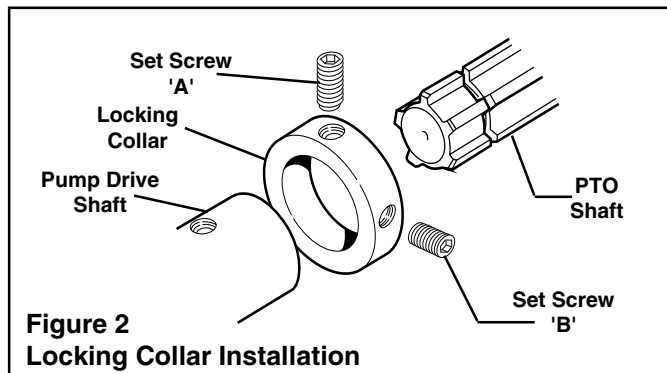
1. The tumble rod is level.
  2. The hitch pin is equal distance between the end of the tractor PTO shaft and the end of the pump shaft.
  3. Turn angles of greater than 45° are avoided.
- Failure to follow these three rules will cause damage to the pump drive line.

## Locking Collar Kit No. 3430-0190 - for Models 9028C and 9400 Series 1000 rpm (1-3/4").

## Locking Collar Kit No. 3430-0176 - for Models 9006C, 9006P, 9008C, and 9008P Pumps.

## Locking Collar Kit No. 3430-0207 - for 9400 Series belt drives with 6 and 21 spline hollow shafts (1-3/8").

This locking collar kit holds the pump driver shaft securely on the tractor PTO shaft. It is designed to increase pump life by reducing pump and PTO shaft wear due to vibration. To install locking collar:



1. Slide Locking Collar onto Pump Driver Shaft.
2. Thread the longer Set Screw 'A' through the Locking Collar and partially through the threaded hole in the Pump Driver Shaft.

### NOTE

It is necessary to allow a minimum of 1/8" clearance between the Locking Collar and the Pump Driver Shaft at Set Screw 'A' (See Figure 2).

3. Thread the shorter set screw 'B' into the other threaded hole in the Locking Collar.
4. Slide Pump Driver Hub over PTO Shaft. Be sure PTO groove is under Set Screw 'A'.
5. Tighten Set Screw 'A' very securely with a 3/16" allen wrench.
6. Tighten Set Screw 'B' very securely with the same wrench. This binds Set Screw 'A' which prevents it from coming loose.

### NOTE

The Locking Collar is off-center on the Pump Driver Shaft when properly installed.

## Tumble Rod Mounting

The best Tumble Rod installation occurs when the distance from the PTO U-joint to the hitch is equal to the distance from the hitch to the Pump U-joint. For 540 rpm PTO shafts, the distance from the hitch pin to the pump shaft should be 14 inches. For 1000 rpm 1-3/8" PTO shafts, the distance is 16 inches. For 1000 rpm 1-3/4" PTO shafts, the distance is 20 inches.

If direct PTO mounting is not convenient or desired, then mount the pump in a convenient position on the pull-behind sprayer and connect it to the tractor PTO with a "Tumble Rod" Power Shaft.

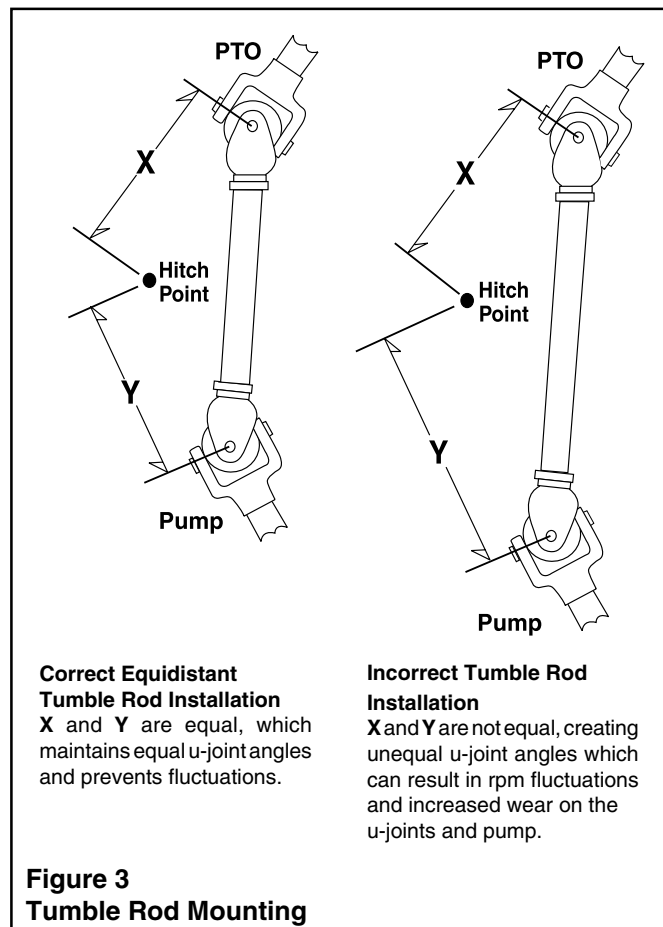
### NOTE

Exercise caution when using this approach to insure:

- (1) The tumble rod is level.
- (2) The hitch pin is the center-point.
- (3) Turn angles greater than 45° can be avoided.

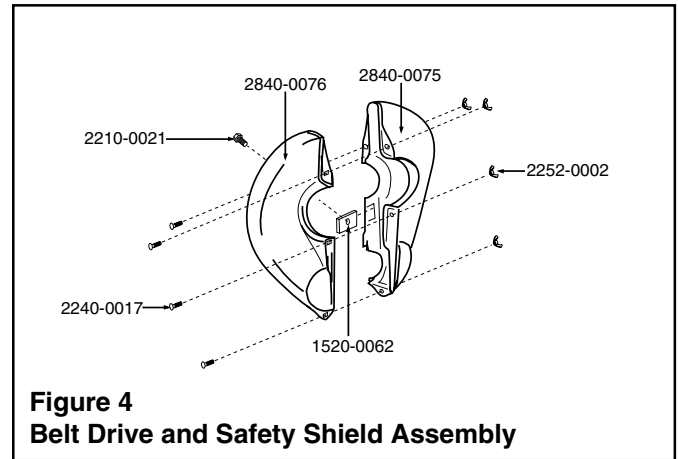
Failure to follow these three points can cause "power shocks" within the pump and drive units and increase wear on seals and gears.

Power shocks occur when the PTO shaft knuckle and the universal joint at the Pump end of the Tumble Rod turn faster on the inside of the turning angle than on the outside. To prevent these vibrations, the angle of the Tumble Rod to the tractor PTO shaft and the angle of the Tumble Rod at the Pump Shaft should be as close to equal as possible. This will cancel out the fluctuations.



## Belt Drive and Safety Shield Assembly (See Figure 4)

1. Insert the Bracket (1520-0062) into the center mounting slot on one of the half shields.
2. Hold this half shield over the belt and corresponding pulleys while sliding the other half shield into place.
3. Insert the Carriage Bolts (2230-0017) through the two Shields with the square carriage heads seating in the square holes and tighten the Wing Nuts (2252-0002).
4. Insert the Attachment Bolt (2110-0021) through the pedestal of the belt drive, into the threaded Bracket (1520-0062) and tighten.



**Figure 4**  
**Belt Drive and Safety Shield Assembly**

## Series 9000C PTO Gear Driven Pumps

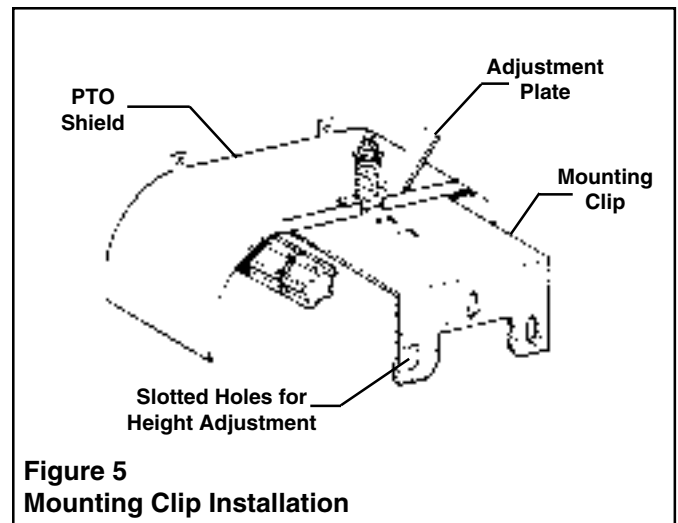
On Series 9000C units, install the Pump using the Hypro PTO Mounting Clip, which is designed to accommodate most tractor PTO shields. When properly installed, the Mounting Clip prevents the Pump from rotating, reduces the weight on the Pump Shaft (reducing excessive wear on the bearings), and in most cases, replaces the torque chain. It also covers the rotating PTO and Pump Shaft as an added safety precaution when Pump is in operation.

1. When mounting the Mounting Clip to the PTO shield, make sure the Shield is not bent down. This will cause an additional burden on the Pump Bearings. It may be necessary to bend the Shield back to its original position (or higher) to allow the Mounting Clip to slide under the Shield as shown in Figure 5.
2. Attach the Mounting Clip to the Pump by using the bolts in the Pump Housing. Do not tighten the bolts at this time. First align the Pump on the PTO shaft to make the proper height and depth adjustments.
3. When the Mounting clip is firmly located on the PTO shield, tighten the bolts on the Pump Housing.

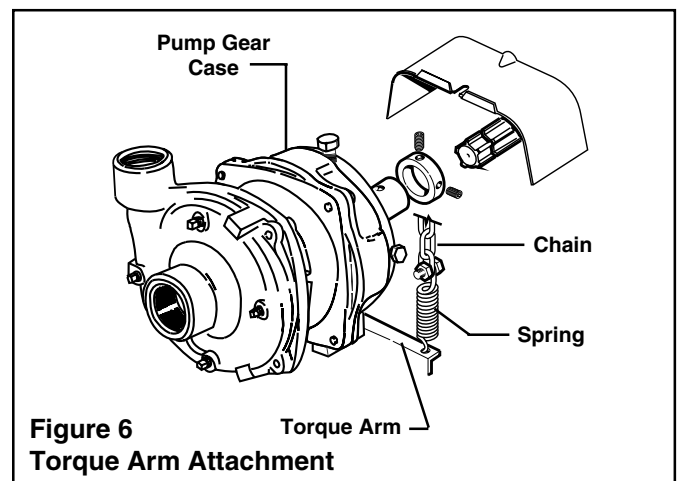
### **NOTE**

**It will be necessary to drill a 5/16" center hole in all flat surface shields to properly secure the Mounting Clip to the PTO shield (See Figure 5).**

If the Mounting Clip cannot be used, the Pump should be prevented from rotating on PTO shaft while in operation by attaching a Torque Arm to the Pump Base and tying it to the tractor with a Chain (See Figure 6). Fasten the Chain to the tractor directly below the Pump Gear Case or as close to vertical as possible to avoid backward or forward pull on the Pump.



**Figure 5**  
**Mounting Clip Installation**



**Figure 6**  
**Torque Arm Attachment**

## Tumble Rod Drive (Gearbox Pumps) (See Figure 7)

Four mounting holes are drilled and tapped into the back of the Pump Gear Case cover for attachment to sprayer frame. Use lockwashers to assure secure mounting. Tumble rod can be connected directly to driver shaft or with an adapter.

### NOTE

Exercise caution when using this approach to insure:

- (1) The tumble rod is level.
  - (2) The hitch pin is the center-point.
  - (3) Turn angles greater than 45° can be avoided.
- Failure to follow these three points can cause "power shocks" within the pump and drive units and increase wear on seals and gears.

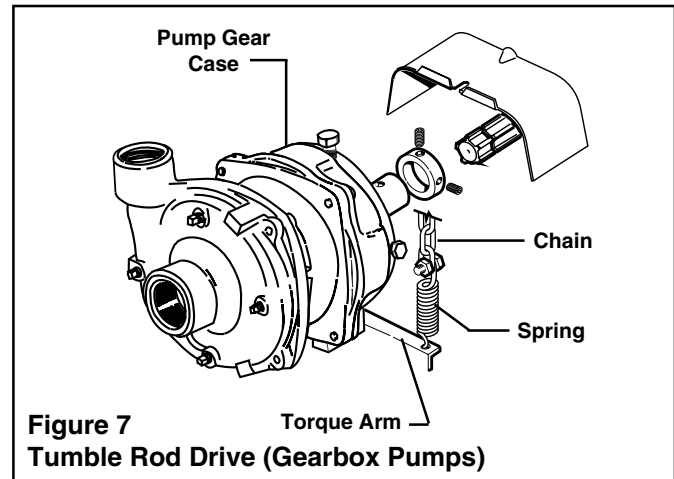


Figure 7  
Tumble Rod Drive (Gearbox Pumps)

## Lubrication

The Pump Gear Case is lubricated at the factory. Re-lubricate after 250 hours of operation or at the start of each season. Also lubricate whenever Gear Case is opened for repair. To lubricate, fill gearcase with 6 oz. of Phillube SAE 80W90 or equivalent. Do not overfill. Make sure the Breather Plug is installed in the top drain port in Gearcase.

The Mechanical Seal in the Pump is lubricated by liquid being pumped. Do not run the Pump dry. Pump Bearings are factory lubricated and do not require further lubrication in the field.

## Plumbing Installation

### Preliminary to Mounting

Before mounting the Pump, check to see that it can be turned by hand (turn shaft counterclockwise). If it cannot be turned, open the Pump Casing to check for obstructions lodged in Pump.

### Priming the Pump

#### ⚠ WARNING

The Pump must not be run dry. Before starting the Pump, the Suction Line and Pump must be filled with liquid. The Pump must not be run unless it is completely filled with liquid as there is danger of damaging the Mechanical Seal, which depends upon the liquid for its lubrication.

These Centrifugal Pumps are not self-priming. If a Pump cannot be mounted below the level of liquid, mount the Pump as near to the liquid source as practical so that a short pipe or hose may be used. The Suction Line should slope down to the Pump. If not, install a Foot Valve in the Suction Line at the liquid source and prime by filling the Pump full before starting. Also, add a Vent Line that extends from top plug in the Pump Casing up into the

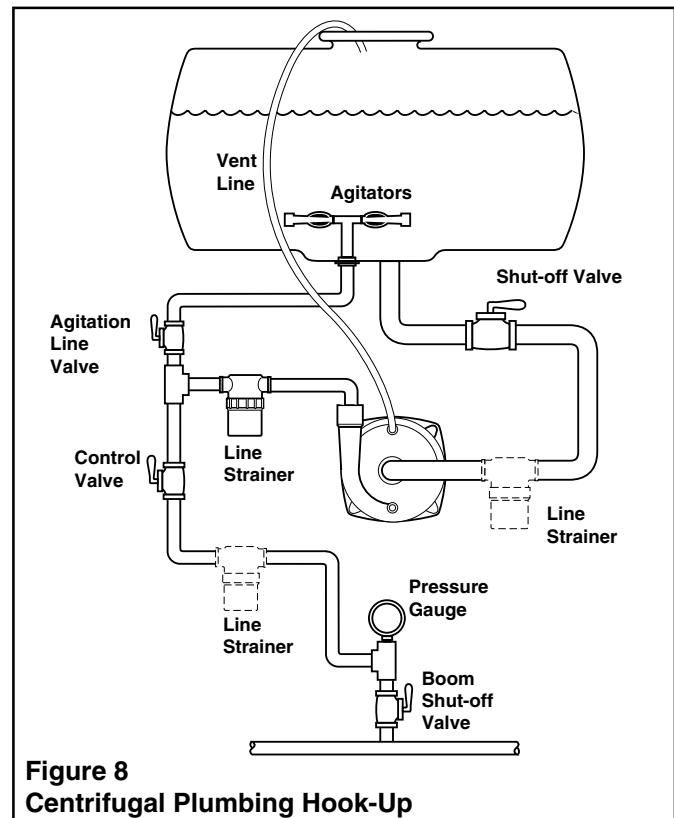


Figure 8  
Centrifugal Plumbing Hook-Up

tank. Use Hypro Vent Line Kit 3430-0456. This line (1/4" vinyl tubing) prevents air lock, and allows the Pump to prime itself by bleeding off trapped air. The small stream of liquid that returns to the tank during operation is negligible. The discharge from this line should be to the tank above the high liquid level.

It is recommended that the discharge port be mounted vertically at the top of the Pump. This is to eliminate air pockets and to aid priming action.

---

## Selecting the Suction Line

To get full capacity of the Pump, the Suction Line should be the same size as the Pump suction port. A smaller size can be used for lower Pump output, but a Suction Line must be one size larger than the Discharge Line (for example, if 3/4" discharge line, use 1" suction line). The

Suction Line must be free of air leaks. Use a good grade of Suction Hose that will not collapse. A Relief Valve or bypass line is not necessary, and is not recommended with these Pumps.

---

## Operation and Maintenance

### **▲ CAUTION**

**Engage the PTO clutch slowly and smoothly. Avoid sudden starts and fast clutching that can damage the drive section of the Pump.**

### Controlling the Flow

Two Flow Control Valves are used - one in the Agitation Line and one in the line leading to the Boom or Spray Gun. This permits controlling agitation flow independently of nozzle flow.

---

## To Adjust For Spraying

To adjust the sprayer (regardless of power source - PTO, belt or pulley) follow these steps:

1. Prime the Pump with all valves open.
2. Close Control Valve and Agitation Line Valve; then open the Boom Shut-Off Valve.
3. With the Pump running, open the Control Valve until Pressure Gauge indicates desired spraying pressure.

4. Open the the Agitation Line Valve until sufficient agitation is observed. Then, if spraying pressure drops, readjust the Control Valve to restore desired pressure.
5. Make sure flow is uniform from all nozzles.

After spraying adjustments are made, it is only necessary to close the Boom Shut-Off Valve to discontinue spraying.

On belt drive models, check belt tension daily or before each use.

---

## Flush Pump After Use

One of the most common causes for faulty Pump performance is "gumming" or corrosion inside the Pump. Flush the Pump and entire system with a solution that will chemically neutralize the liquid pumped. Mix according

to manufacturer's directions. This will dissolve most residue remaining in the Pump, leaving the inside of the pump clean for the next use.

---

## To Prevent Corrosion

After cleaning the Pump as directed above, flush it with a permanent type automobile antifreeze (Prestone, Zerex, etc.) containing a rust inhibitor. Use a 50/50 solution of anti-freeze and water, or fill the Pump with FLUID FILM and then drain it. A protective coating of FLUID FILM will remain on

the inner Pump surfaces. Save the excess FLUID FILM for the next application. Plug the ports to keep out air during storage. For short periods of idleness, non-corrosive liquids may be left in the Pump, but air must be kept out. Plug the ports or seal port connections.

## Repair Instructions

### ⚠ CAUTION

Always flush the Pump with water or neutralizing agent before servicing.

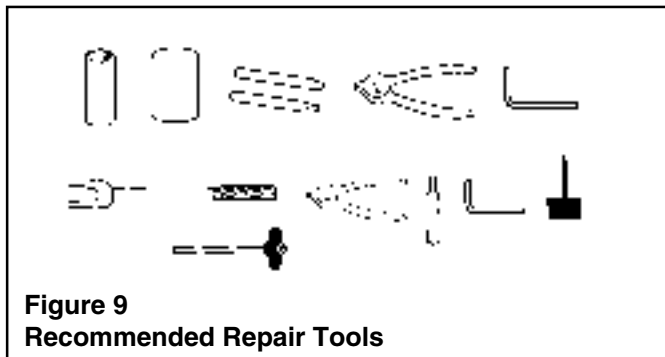
### Pump Housing Disassembly

#### NOTE

In most cases, Seal replacement requires disassembly of only the Pump half of the unit.

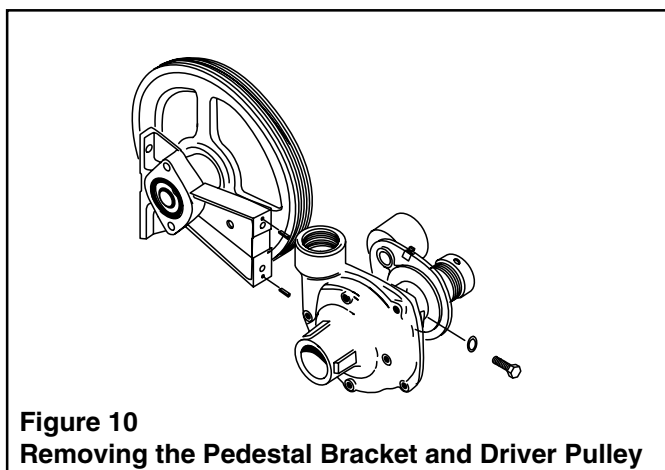
#### NOTE

Instructions following in *italics* describe procedures for the Polypropylene Centrifugal Pumps, when different than the Cast Iron Pumps.

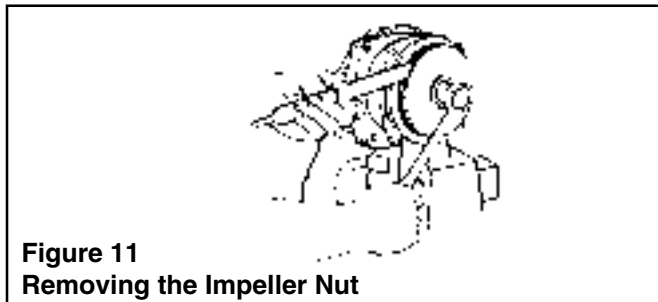


#### NOTE

On Models 9402C, 9403C, 9403C-S, and 9403P, remove the Belt Shields and Belt, then remove the Pedestal Bracket and Driver Pulley (See Figure 10).



1. Remove the four Casing Cap Screws with a 9/16" box end wrench. Tap the Pump Casing discharge port with rubber hammer, if necessary, to break it loose from the Mounting Flange. Check inside of Pump Casing including the suction port. If it is badly eroded or damaged, the Pump Casing should be replaced. Remove and discard the O-ring. The O-ring should

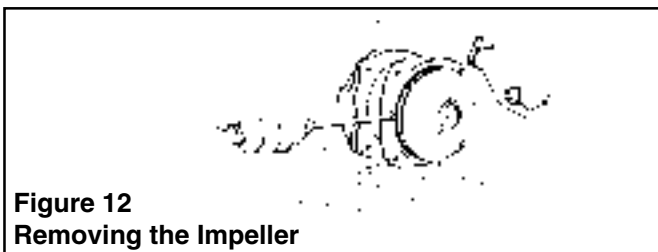


always be replaced. [*Using a 1/2" wrench, remove the six bolts from the front. Also remove the 5/16" screw from the rear near the outlet port.*]

2. To remove the Impeller Nut, clamp the Flange in a vise and insert a large screwdriver or file (at least 10" long) into the Impeller Vanes to prevent the Impeller from turning when loosening the Impeller Nut. Use a socket wrench (3/4" for Series 9000C or 5/8" for Series 9200C and 9400C) to remove the Impeller Nut by turning it counter-clockwise (See Figure 11) [*Use 7/8" deep socket wrench to remove plastic seal nut, then 9/16" deep socket to remove metal jam nut, rubber gasket and washer.*]

#### NOTE

Series 9046C/9048C Pumps do not have an Impeller Nut. The Impeller is reverse threaded onto the Shaft. If possible, remove the Impeller by turning the Impeller clockwise on the Shaft.

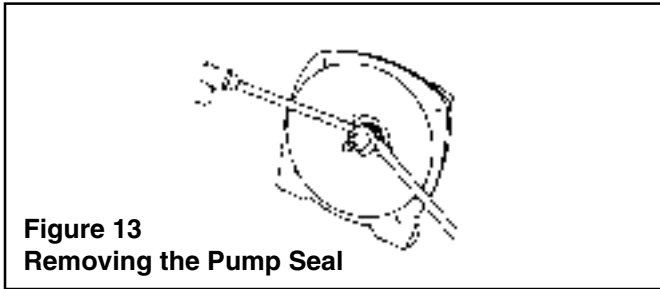


3. Once the nut [*and washer*] is removed, place a screwdriver on each side (See Figure 12) behind the Impeller and pry away from the mounting flange. (Remove Woodruff Key from the shaft for Series 9000 only). Remove O-ring from the mounting flange.



## Pump Seal Removal

1. Lightly lubricate the Shaft for easier removal of the Seal. Using two screwdrivers positioned opposite each other, pry the rotary portion of the Seal from the Shaft (See Figure 13).
2. [Remove plastic back cover flange. Knock Seal out from back with a hammer and screwdriver.]
3. Remove Stationary Seat and Boot by prying out with two small screwdrivers in manner similar to Impeller removal.



### NOTE

The Seal will be damaged by removal in this manner. A new Seal and Rubber Gasket must be used when the Pump is reassembled.

## Clean-Up Of Pump Housing

1. Using the circular bottle-type wire brush with an air or hand drill, clean the discharge port, suction port and the sealing areas of the O-ring on the Pump Casing and Mounting Flange. [This step should not be performed on the Polypropylene models.]
2. After wire brush cleaning, it is recommended that the Pump Casing and Mounting Flange be further cleaned in a solvent tank to remove rust and corrosion particles.

## Pump Shaft and Bearing Assembly Removal and Replacement

### NOTE

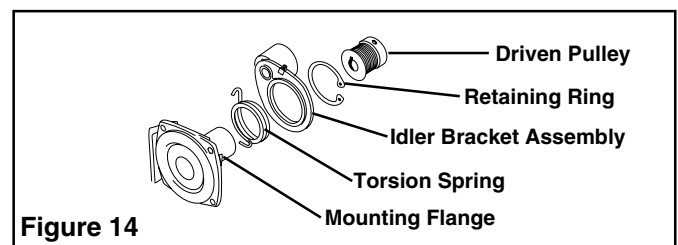
The Pump must be separated from the Gearcase or Belt Drive prior to removal of the Pump Shaft and Bearing. On Series 9046C/9048C the Bearings are located in the Gearcase and are not covered in this section.

#### Series 9000C-O, 9000C-O-SP, & 900P-O

1. Remove the Drain Plug from the bottom of the Gearcase drain the waste oil into an appropriate container.
2. Remove the Cap Screws securing the Gearcase to the Pump; then, separate the Pump From the Gearcase.
3. Remove the Cap Screws securing the Mounting Flange to the Pump; then, separate the Mounting Flange from the Pump.

#### Series 9402C, 9403C, 9403P, & 9403C-SP

1. Remove the Set Screw securing the Driven Pulley to the Pump Shaft; then, slide the Driven Pulley and Key off the Pump Shaft (See Figure 14).



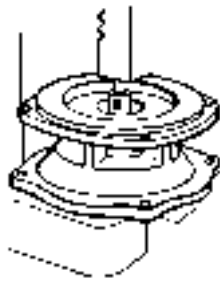
### WARNING

Special attention should be exercised when working with retaining Rings. Always wear safety goggles when working with spring or tension loaded fasteners or devices.

2. Remove the Retaining Ring securing the Idler Bracket Assembly to the Mounting Flange (See Figure 14).
3. Slide the Idler Bracket Assembly and Torsion Spring off the Mounting Flange (See Figure 14).

#### Series 9000C-O, 9000C-O-SP, 900P-O, 9402C, 9403C, 9403P, & 9403C-SP

1. Remove the Internal Retaining Ring from the Mounting Flange.
2. Place the Mounting Flange on an arbor press with the shaft end facing up: then, press the Shaft and both Bearings out of the Mounting Flange (See Figure 15).



**Figure 15**  
**Pressing Shaft and Bearings out of Mounting Flange**

- Using an arbor press, press the old Bearings off the Shaft (See Figure 16). Because the center portion of the Shaft has a thicker diameter than the ends, the Bearings must be pressed off each end of the Shaft.



**Figure 16**  
**Pressing Bearings off Shaft**

- Support the inner races of the new Bearings; then press the Shaft into the new Bearings.
- Pressing on the outer race of the new Bearings, press the new Bearings into the Mounting Flange.
- Install the Internal Retaining Ring.

## Seal Replacement/Pump Housing Reassembly

**NOTE**

**Be extremely careful with the new Seal. Take special care not to scratch the lapped sealing faces of the Rotary Washer and Stationary Seat.**

- Lubricate seal cavity in the Mounting Flange with WD-40, LPS or equivalent.
- Install the stationary portion of the Mechanical Seal by sliding it over the Shaft with the ceramic side out.

**NOTE**

**Make sure both seal cavity and seal are clean and lubricated. Never run the sealing faces dry.**

- To seat the Seal in the seal cavity, use a piece of 3/4" PVC pipe 4" to 6" in length. Press it in firmly and squarely. Lubricate sealing surface on Seal after it is seated.
- To install the rotary portion of the Mechanical Seal, place it over the Shaft with the carbon side facing in, and press until it bottoms out against the stationary portion of the Mechanical Seal (See Figure 17).
- Insert the Key into Shaft key slot. Place the Impeller on the Shaft. Put the [Washer, Jam Nut and Gasket] Impeller Nut on the Shaft, and using a large screwdriver or file inserted into the Impeller Vanes for support, tighten Impeller Nut securely.



**Figure 17**  
**Mechanical Seal Installation**

- Install the O-ring on the Mounting Flange. Replace O-ring if it is worn or damaged.
- Place Pump Casing on the Mounting Flange, then insert and alternately and evenly tighten the Bolts.

**NOTE**

**If the Gear Drive does not require service, secure the Gear Drive to the Pump Mounting Flange using the Cap Screws removed in Step 3 of Pump Shaft and Bearing Assembly Removal and Replacement.**

## Disassembling Gear Drive Unit Series 9000 Models

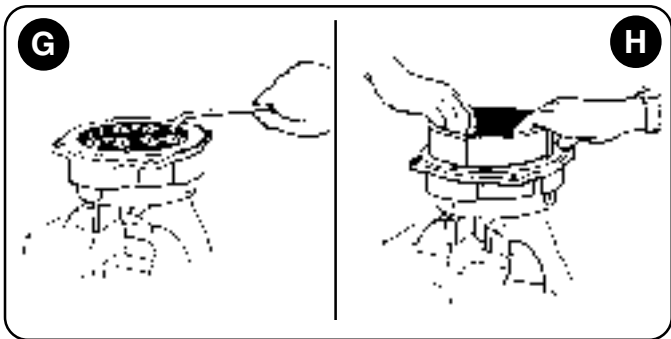
Special attention should be exercised when working with retaining Rings. Always wear safety goggles when working with spring or tension loaded fasteners or devices.

1. Remove crescent retainer ring from shaft with screwdriver.

### NOTE

1000 rpm models have two of these rings.

2. Place assembly into slot of arbor press table, threaded end up (see Fig. F ). Press out shaft.
3. Wash and examine teeth of shaft pinion gear or Sun gear for excessive wear or damage. Also make sure that sealing area of shaft is smooth, not worn or pitted. In most cases, the area can be polished smooth. In area where rubber driving ring contacts shaft some roughness is required around shaft to prevent seal slippage. DO NOT LUBE.
4. Clamp gear casing in vise, gripping on the driver hub (see Fig. G). Remove driver gear capscrews using 3/4" box end wrench. Remove washers, front thrust washers, driver gears, inner races and back thrust washers.
5. Wash and check parts. Examine teeth of driver gears for excessive wear or damage. Also check to see that the inner bearing race surfaces and nylon thrust washers are not worn or scored.
6. Remove cushion bumpers with needle nose pliers or a small screwdriver, then remove fixed internal gear by hooking fingers at bottom and pulling up (see Fig. H).



7. Wash and examine cushion bumpers and teeth of fixed ring for damage or excessive wear. Wear can be detected by sliding knife blade along edge of teeth, especially near outer edges of ring gear. If worn, replace.
8. With a flat blade screwdriver, pry the oil seal from the gearcase. Removing in this manner will damage the seal and make it unsuitable for reuse.
9. Remove the main bearing retaining ring with pliers No. 3010-84. Remove the slinger ring.
10. Place the remainder of the gear case assembly in the press, face down (see Fig. I). Press out the driver hub.
11. Turn the gear case over and remove the large retaining ring with a screwdriver.
12. Place the gear case back in the press face down and press out the main bearing (see Fig. J).
13. Check the main bearing for roughness or damage. It should turn smoothly and easily.

## Gear Drive Unit Reassembly

### NOTE

Before reassembling the gear drive unit, all parts should be examined, and parts being reused should be clean and free of old oil. DO NOT WASH MAIN BEARING.

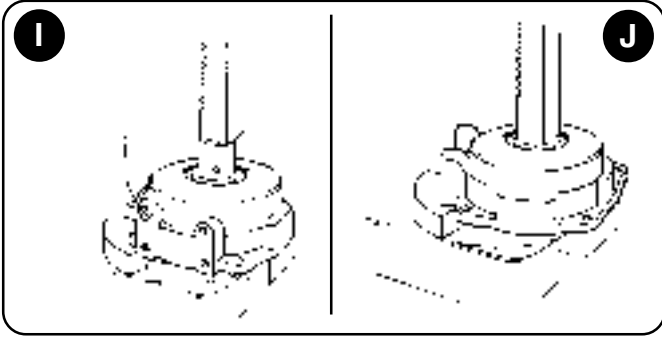
1. Place the gear case in the press face up. Press the main bearing in with tool No. 3010-0092 (see Fig. K). Insert a large retaining ring into the gear case.
2. Place the gear case in the press, face up, with the main bearing supported on a flat end of tool No. 3010-86. Position the driver hub in the main bearing and press in, bottoming on the main bearing.

### NOTE

On the 1000 rpm models, perform Step 5 before installing the driver hub.

3. Install the main bearing retaining ring with pliers No. 3010-0084.
4. Slide a new oil seal over the driver hub and press into the gearcase until flush.
5. Clamp the PTO end of the driver hub in a vise, as in Fig. G. Position the large fixed gear into the gear case, aligning lugs of gear into slots so that cushion bumpers insert. Replace if damaged.

6. Slip the washer, front, thrustwasher, inner bearing race onto the driver gear capscrew. Insert into needle bearing of driver gear. Apply a dab of grease to back thrustwasher to prevent it from falling off when assembling. Match the teeth of driver gear with the teeth of fixed gear and align the capscrew with the hole in driver hub. Screw in and tighten. Repeat steps to install the other two driver gears. Use Loctite on the bolts. Replace the thrustwashers if they are worn or frayed.

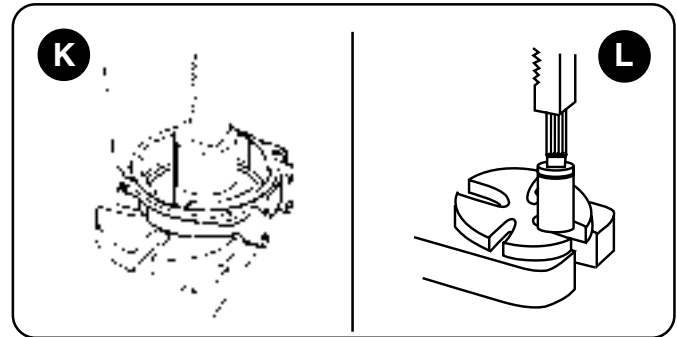


7. Insert the pump shaft into bearing and place in press with the bearing supported by tool No. 3010-0061 (see Fig. L). For 540 rpm models, press down until the gear touches the bearing; for 1000 rpm models, press until it is between the snap ring grooves. Install the crescent retainer rings by starting in the groove and pressing on with flat of screwdriver (one ring on 540 rpm models, two rings on 1000 rpm models).
8. Slide the thin gasket and bearing seal onto the shaft.
9. Set the mounting flange adapter in the press with the bearing cavity up. Press the shaft and bearing assembly down to the bottom. Use tool No. 3010-0061 to support the bearing (outer race). (See Fig. M). Install the retainer ring with the screwdriver. On 1000 rpm models, insert woodruff key on Sun gear end of shaft and press the Sun gear into position, supporting shaft from the bottom. Secure with retaining ring.
10. Lightly grease and install the large O-Ring into the groove of the mounting flange adapter.
11. Clamp the PTO end of the gear case unit in the vise (see Fig. N). Place the mounting flange adapter and the shaft assembly over the gear case unit, inserting the pinion gear of Sun gear end of shaft into the center point of the three driver gears, matching teeth. **BE CAREFUL NOT TO DAMAGE THE TEETH OF THE GEARS.**

**NOTE**

**The weep holes in the mounting flange adapter must face down - towards feet. Do not force together.**

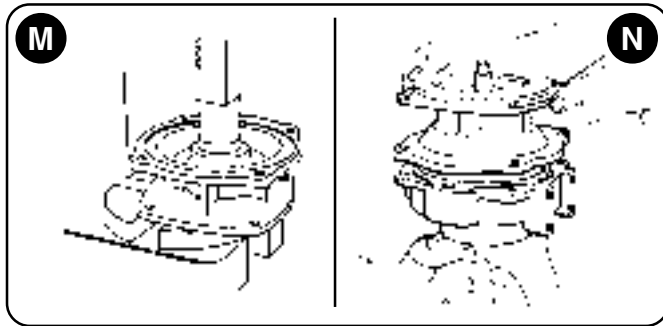
12. Align holes and secure with gear case capscrews using a 9/16" socket wrench.
13. Replace the bottom drain plug in the gear case and remove the top fill plug. Fill the gearcase with approximately **6 oz.** of Phillube SAE 80W90 Gear Oil. **DO NOT OVERFILL.** Replace the breather plug. **DO NOT** use the side plugs on the gear case for a fill level indicator because doing so will cause you to overfill and damage the gearcase.
14. Install the pump seal, impeller and pump casing as described elsewhere.



### Belt Replacement (Series 9400 Models)

1. Remove the safety shield.
2. Insert a 15/16" socket on to idler arm bolt head and apply tension in a counterclockwise direction.
3. Slip the belt off of the large pulley.
4. Wrap the new belt around the small pulley and on the inside of the idler pulley.
5. Insert a 15/16" socket on to idler arm bolt head and apply tension in a counterclockwise direction.
6. Slip the belt around the large pulley, insuring that the grooves on the pulleys match the grooves on the belt.

### Belt Alignment and Tension



### PERIODICALLY CHECK BELT FOR WEAR AND ALIGNMENT.

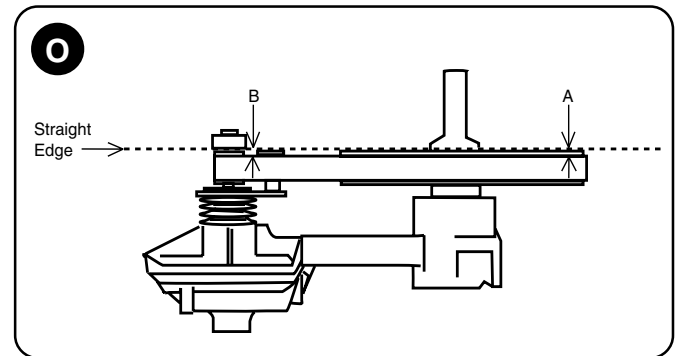
1. Remove the safety shield. Inspect the belt for wear and alignment. Proper alignment will reduce belt and pulley wear.
2. Refer to Figure O to align the belt. Place a straight edge on the outer edge of the large pulley. Measure the distance from the straight edge to the edge of the belt (Point A). This should be the same as the distance between the straight edge and the belt at the small pulley (Point B). Loosen the set screws on the small pulley, and adjust the pulley until both distances are equal. Tighten the set screws.
3. To insure proper tension, check for free rotation of the tension arm. Grease the provided fitting regularly. If properly lubricated, the tension arm will automatically keep proper tension.

### Idler Bearing Replacement

1. Remove the belt.
2. Remove the idler bolt with a 15/16" impact socket.
3. Remove the idler pulley snap ring.
4. Press out the bearing using an arbor press.
5. To reassemble, reverse the procedure.

### Pedestal Bearing Replacement

1. Remove the belt.
2. Remove the large pulley retainer ring and pulley. (For quick coupled models, remove the outer keeper ring and keeper balls.)
3. Remove the bearing retainer ring and dust cover.
4. Using an arbor press, press out the driver hub and bearing assembly from the pedestal bearing bore.
5. Remove the bearing snap ring from the shaft.
6. Using the arbor press, press the bearings and spacer from the shaft.
7. Install new bearings and reverse the procedure for reassembly.



## Troubleshooting

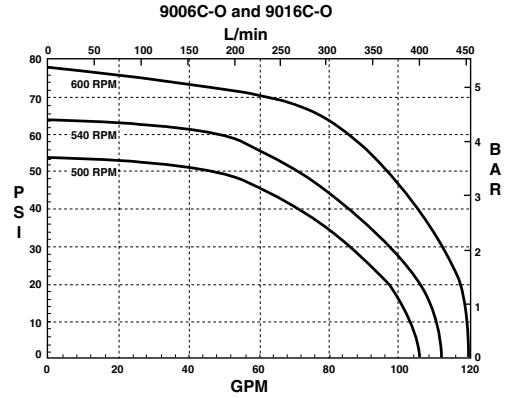
Symptom	Probable Cause(s)	Corrective Action(s)
Low Discharge	Pump not primed	→ Remove topmost vent plug from face of pump and run pump to expel trapped air (See Installation Instructions).
	Air leaks in suction line	→ Check and reseal inlet fittings.
	Blocked or clogged line strainer	→ Inspect strainer and clear any debris from screen.
	Impeller plugged	→ Inspect and clear obstruction.
	Undersize suction line or collapsed hose	→ Suction line should be the same diameter as inlet port of pump or larger.
	Eye of impeller rubbing on volute	→ Remove volute (front cover) and inspect the impeller. If wear detected, sand the impeller eye O.D. with emery cloth.

# Performance Data for Cast Iron, Gear-Driven Models

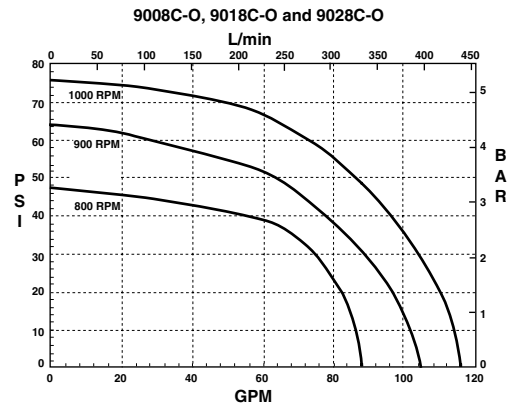
ENGLISH STANDARD CHART

<b>9006C-O 9016C-O</b>		20 PSI		30 PSI		40 PSI		50 PSI		60 PSI		70 PSI	
	RPM	GPM	HP	GPM	HP	GPM	HP	GPM	HP	GPM	HP	GPM	HP
	500	97	4.11	86	3.89	71	3.57	47	2.96				
	540	106	5.15	96	4.78	87	4.63	70	4.22	47	3.51		
	600	117	6.86	113	6.77	104	6.47	96	6.17	82	5.79	63	5.14

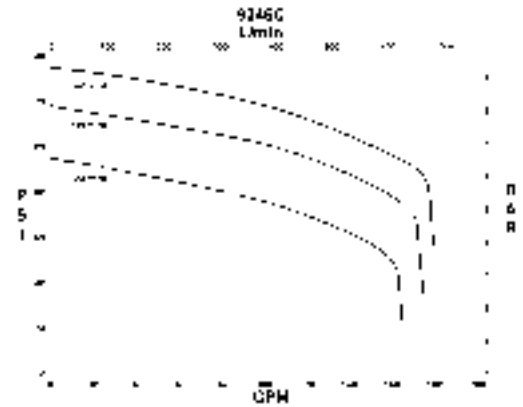
PERFORMANCE GRAPH



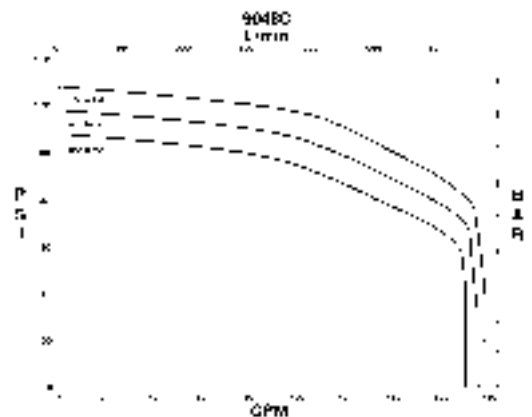
<b>9008C-O 9018C-O 9028C-O</b>		20 PSI		30 PSI		40 PSI		50 PSI		60 PSI		70 PSI	
	RPM	GPM	HP	GPM	HP	GPM	HP	GPM	HP	GPM	HP	GPM	HP
	800	82	2.80	70	2.62	53	2.28						
	900	96	4.05	88	3.80	76	3.60	60	3.21	24	2.12		
	1000	110	5.57	102	5.42	96	5.21	86	5.00	70	4.42	46	3.57



<b>9046C</b>		20 PSI	30 PSI	40 PSI	50 PSI	60 PSI	70 PSI	80 PSI	90 PSI	100 PSI	110 PSI	120 PSI	130 PSI
	RPM	GPM	GPM	GPM	GPM	GPM	GPM	GPM	GPM	GPM	GPM	GPM	GPM
	450	165	164	163	160	145	115	87	31				
	500	175	175	174	173	172	170	157	135	111	81		
	540	180	180	180	180	179	178	177	172	150	120	90	40



<b>9048C</b>		20 PSI	30 PSI	40 PSI	50 PSI	60 PSI	70 PSI	80 PSI	90 PSI	100 PSI	110 PSI	120 PSI
	RPM	GPM	GPM	GPM	GPM	GPM	GPM	GPM	GPM	GPM	GPM	GPM
	900	170	170	170	169	167	155	132	110	78		
	950	175	175	174	173	172	170	157	135	111	81	
	1000	178	178	178	177	176	174	172	159	138	118	90

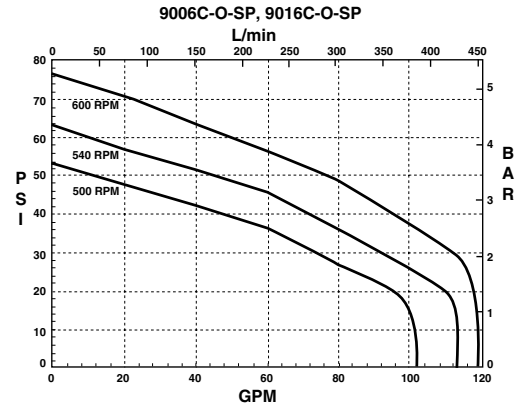


# Performance Data for Cast Iron, Self-Priming Models

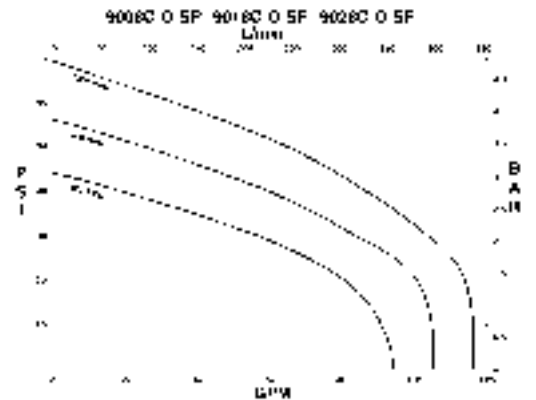
ENGLISH STANDARD CHART

PERFORMANCE GRAPH

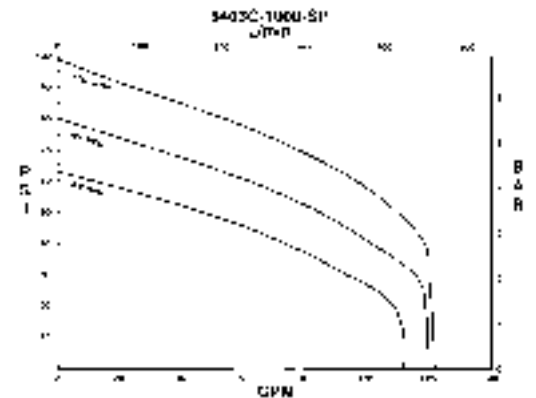
<b>9006C-SP, 9016C-SP</b>		<b>10 PSI</b>	<b>20 PSI</b>	<b>30 PSI</b>	<b>40 PSI</b>	<b>50 PSI</b>	<b>60 PSI</b>	<b>70 PSI</b>
	<b>RPM</b>	<b>GPM</b>	<b>GPM</b>	<b>GPM</b>	<b>GPM</b>	<b>GPM</b>	<b>GPM</b>	<b>GPM</b>
	<b>500</b>	101	95	77	51	12		
	<b>540</b>	111	109	94	74	47	25	
	<b>600</b>	119	118	112	97	79	54	23



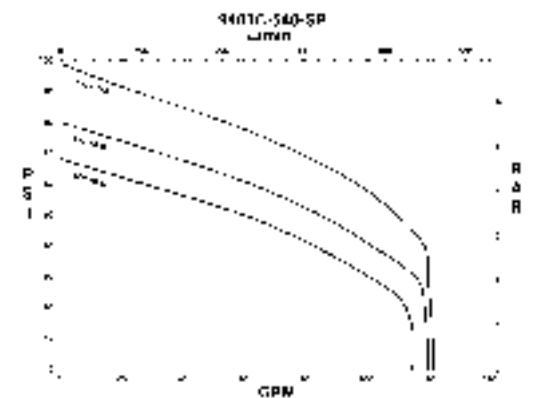
<b>9008C-SP, 9018C-SP, 9028C-SP</b>		<b>10 PSI</b>	<b>20 PSI</b>	<b>30 PSI</b>	<b>40 PSI</b>	<b>50 PSI</b>	<b>60 PSI</b>
	<b>RPM</b>	<b>GPM</b>	<b>GPM</b>	<b>GPM</b>	<b>GPM</b>	<b>GPM</b>	<b>GPM</b>
	<b>800</b>	91	81	57	19		
	<b>940</b>	103	101	84	60	25	
	<b>1000</b>	115	114	104	87	65	33



<b>9403C- 1000-SP</b>		<b>GPM at</b>	<b>GPM at</b>	<b>GPM at</b>	<b>GPM at</b>	<b>GPM at</b>	<b>GPM at</b>	<b>GPM at</b>	<b>GPM at</b>	<b>GPM at</b>
	<b>RPM</b>	<b>10 PSI</b>	<b>20 PSI</b>	<b>30 PSI</b>	<b>40 PSI</b>	<b>50 PSI</b>	<b>60 PSI</b>	<b>70 PSI</b>	<b>80 PSI</b>	<b>90 PSI</b>
	<b>800</b>	111	109	94	74	47	21			
	<b>900</b>	120	119	116	102	85	62	32		
	<b>1000</b>	121	121	120	119	110	97	78	54	24



<b>9403C- 540-SP</b>		<b>GPM at</b>	<b>GPM at</b>	<b>GPM at</b>	<b>GPM at</b>	<b>GPM at</b>	<b>GPM at</b>	<b>GPM at</b>	<b>GPM at</b>	<b>GPM at</b>
	<b>RPM</b>	<b>10 PSI</b>	<b>20 PSI</b>	<b>30 PSI</b>	<b>40 PSI</b>	<b>50 PSI</b>	<b>60 PSI</b>	<b>70 PSI</b>	<b>80 PSI</b>	<b>90 PSI</b>
	<b>500</b>	114	113	101	83	60	27			
	<b>540</b>	120	119	116	102	85	62	32		
	<b>600</b>	121	121	120	119	110	97	78	54	24



# Performance Data for Cast Iron and Poly, Belt-Driven Models

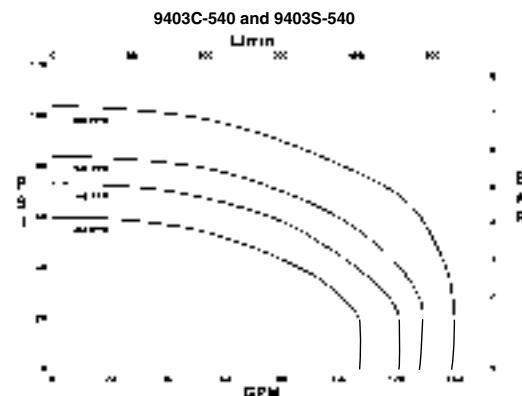
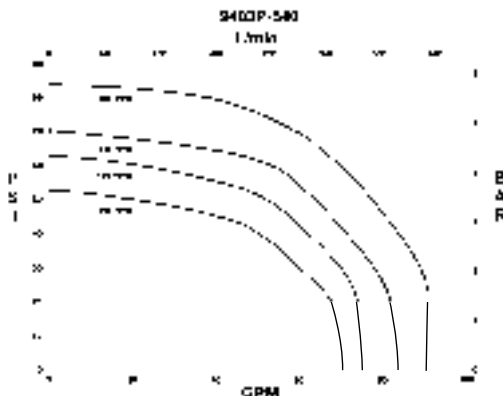
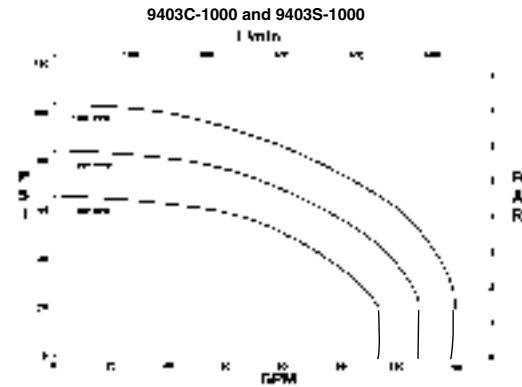
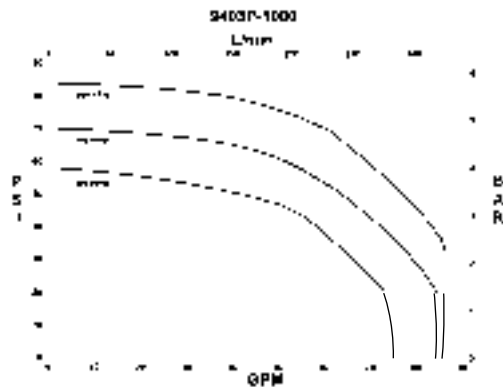
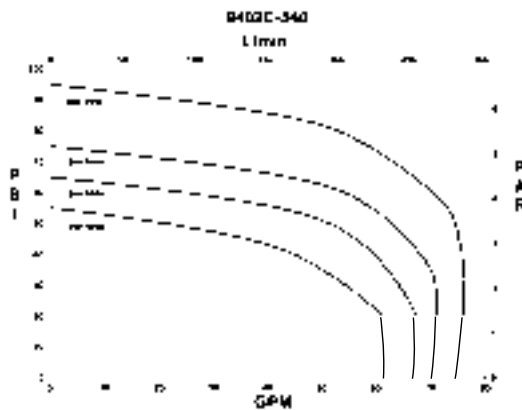
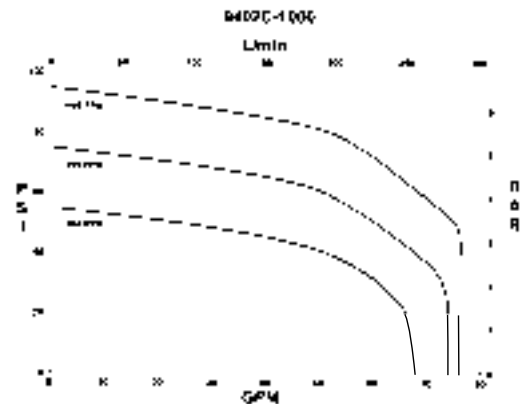
## ENGLISH STANDARD CHARTS AND GRAPHS

<b>Model 9402C</b>	9402C-1000	RPM	GPM at 20 PSI	GPM at 30 PSI	GPM at 40 PSI	GPM at 50 PSI	GPM at 60 PSI	GPM at 70 PSI	GPM at 80 PSI	GPM at 90 PSI
		800	66	61	51	24				
		900	74	73	67	60	51	23		
	1000	76	76	76	75	68	62	52	22	
	9402C-540	450	61	54	45	21				
		500	67	64	60	51	25			
540		71	71	68	63	54	25			
600		76	76	75	74	70	63	53	23	

<b>Model 9403C &amp; 9403S</b>	9403C-1000	RPM	GPM at 20 PSI	GPM at 30 PSI	GPM at 40 PSI	GPM at 50 PSI	GPM at 60 PSI	GPM at 70 PSI	GPM at 80 PSI	GPM at 90 PSI	GPM at 100 PSI
		800	115	106	96	80	56				
		900	129	127	120	111	98	80	50		
	1000	140	139	137	133	128	119	100	76	46	
	9403C-540	450	107	99	86	50					
		500	121	116	106	93	76	42			
540		129	127	120	111	98	80	50			
600		140	138	135	130	121	112	94	73	40	

<b>Model 9403P</b>	9403P-1000	RPM	GPM at 20 PSI	GPM at 30 PSI	GPM at 40 PSI	GPM at 50 PSI	GPM at 60 PSI	GPM at 70 PSI	GPM at 80 PSI
		800	73	66	58	42			
		900	82	78	70	60	46		
	1000	86	86	79	72	64	58	38	
	9403P-540	450	68	60	46	20			
		500	74	70	60	48	22		
540		82	78	70	60	46			
600		86	86	79	72	64	58	38	

## PERFORMANCE GRAPH





# Performance Charts for Polypropylene Models

## ENGLISH STANDARD CHART

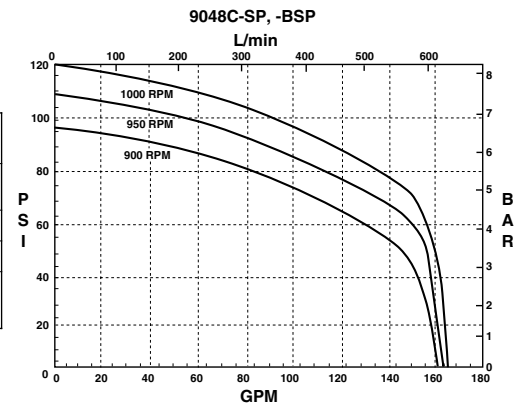
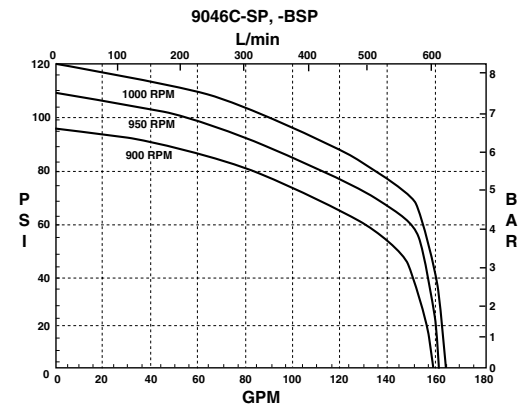
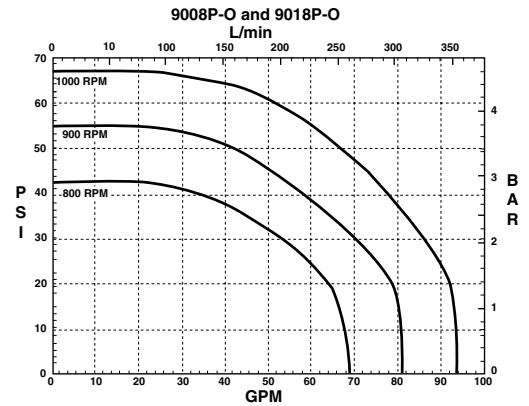
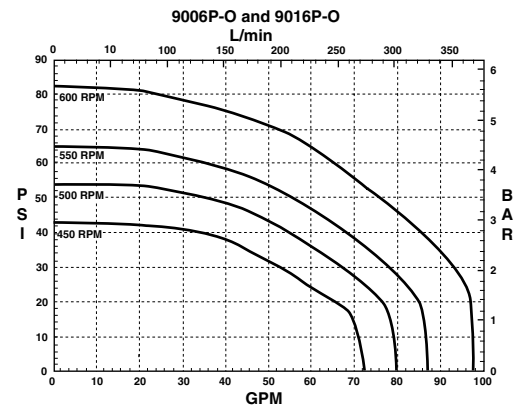
9006P-O 9016P-O	15 PSI		20 PSI		30 PSI		40 PSI		50 PSI		60 PSI		70 PSI		
	RPM	GPM	HP	GPM	HP	GPM	HP	GPM	HP	GPM	HP	GPM	HP	GPM	HP
450	69.1	2.9	63.2	2.8	51.7	2.5	34.0	2.4							
500			77.0	3.9	67.3	3.7	55.0	3.3	37.4	2.8					
550			85.4	4.9	78.0	4.8	67.8	4.4	55.6	4.0	36.3	3.3			
600					93.4	6.5	85.3	6.3	76.1	5.9	65.7	5.6	52.1	4.9	

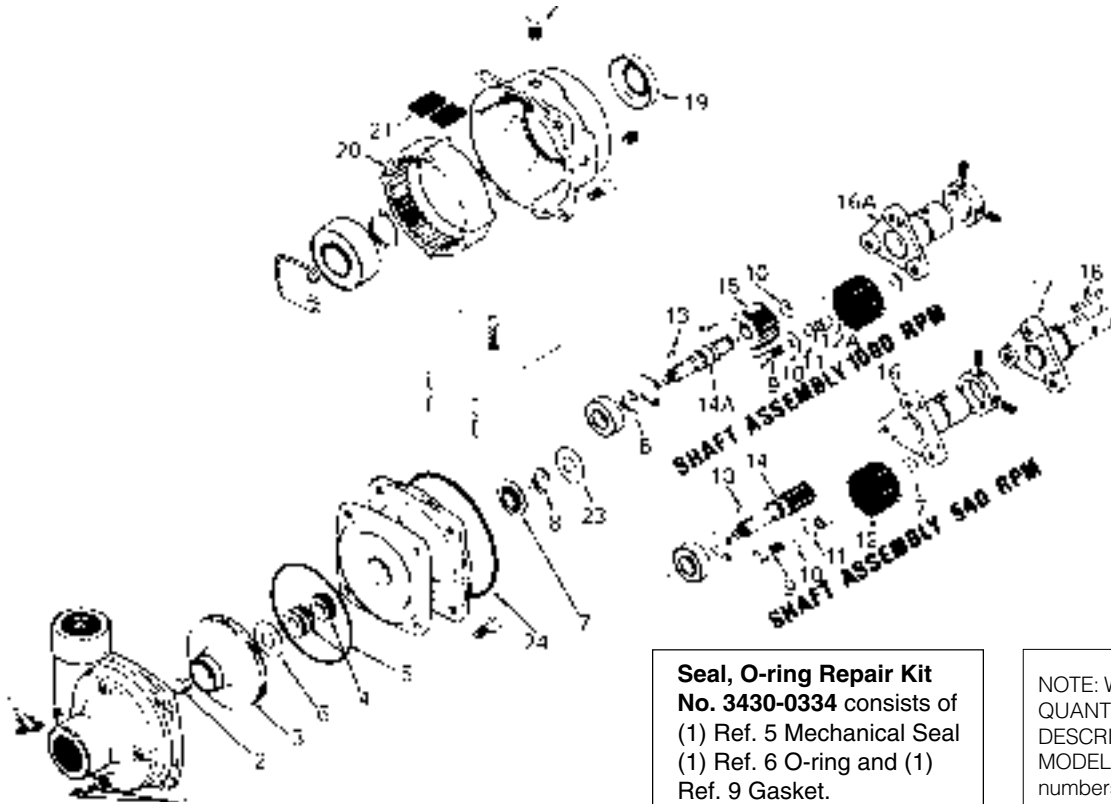
9008P-O 9018P-O	15 PSI		20 PSI		30 PSI		40 PSI		50 PSI		60 PSI		
	RPM	GPM	HP	GPM	HP	GPM	HP	GPM	HP	GPM	HP	GPM	HP
800	69.7	3.3	64.2	3.2	52.8	3.0	33.7	2.5					
900			79.0	4.4	69.9	4.2	58.0	3.9	42.4	3.8			
1000					86.3	5.7	78.2	5.4	67.1	5.1	52.3	4.5	

9046C-O	0	10	20	30	40	50	60	70	80	90	100	110	120	125
	PSI	PSI	PSI	PSI	PSI	PSI	PSI	PSI	PSI	PSI	PSI	PSI	PSI	PSI
RPM	GPM	GPM	GPM	GPM	GPM	GPM	GPM	GPM	GPM	GPM	GPM	GPM	GPM	GPM
450	160	158	155	149	143	136	116	92	58	0	-	-	-	-
500	164	163	162	160	158	156	152	138	117	93	56	0	-	-
540	167	166	165	164	162	160	158	154	144	126	103	72	31	0

9048C-O	0	10	20	30	40	50	60	70	80	90	96	100	109	110	120
	PSI	PSI	PSI	PSI	PSI	PSI	PSI	PSI	PSI	PSI	PSI	PSI	PSI	PSI	PSI
RPM	GPM	GPM	GPM	GPM	GPM	GPM	GPM	GPM	GPM	GPM	GPM	GPM	GPM	GPM	GPM
900	161	159	157	155	151	145	130	109	82	45	0	-	-	-	-
950	163	162	161	159	157	155	150	134	112	86	-	54	0	-	-
1000	165	164	163	162	160	158	155	150	135	115	-	91	-	58	0

## PERFORMANCE GRAPH



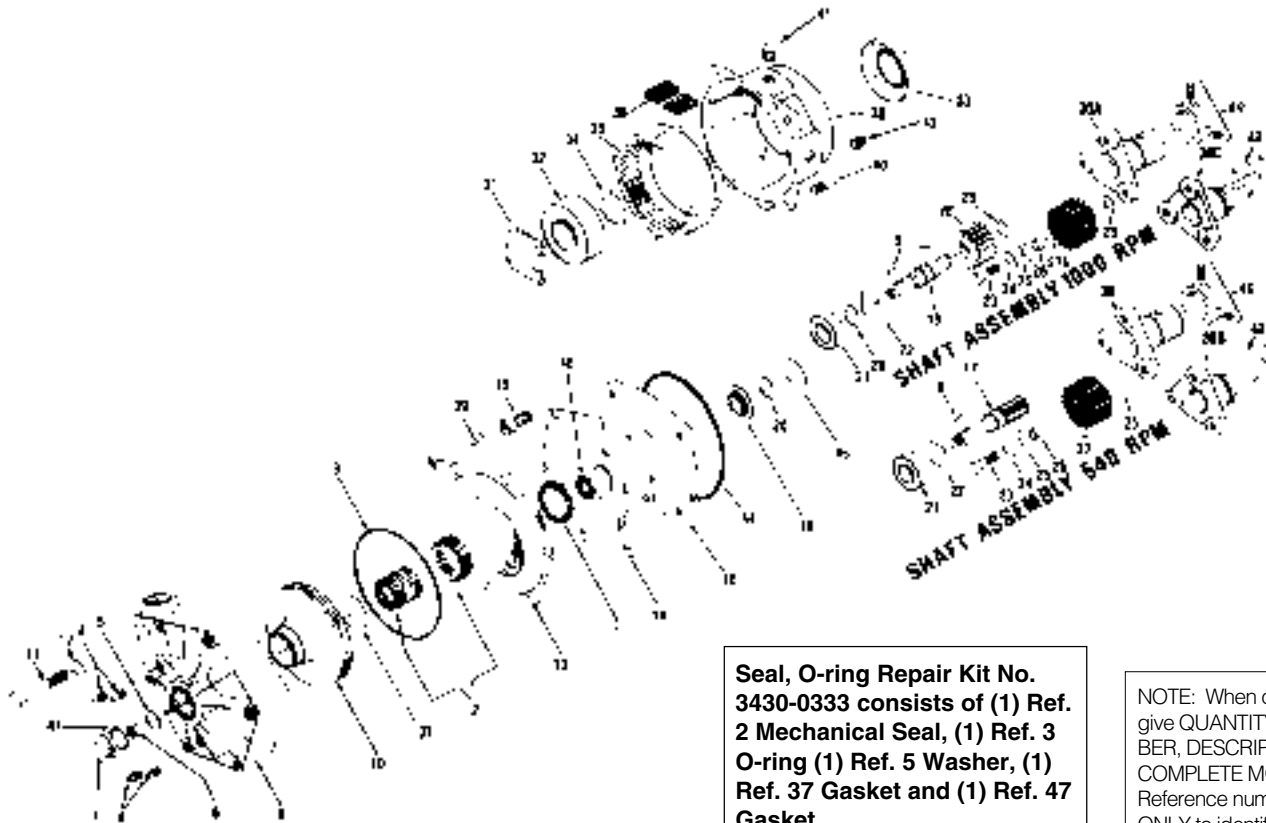


**Seal, O-ring Repair Kit**  
**No. 3430-0334** consists of  
 (1) Ref. 5 Mechanical Seal  
 (1) Ref. 6 O-ring and (1)  
 Ref. 9 Gasket.  
**Gear Lube Requirement:**  
 Phillube SAE 80W90 Oil

NOTE: When ordering parts, give QUANTITY, PART NUMBER, DESCRIPTION, and COMPLETE MODEL NUMBER. Reference numbers are used ONLY to identify parts in the drawing and are NOT to be used as ordernumbers.

Ref. No.	Qty. Req'd.	Part No.	Description
1	4	2406-0007	Drain Plug
2	1	0150-9000C	Pump Casing (Includes a stainless steel wear ring.)
3	1	2253-0001	Impeller Nut
4	1	0400-9000P	Impeller (Nylon)
5	1	2120-0010	Mechanical Seal (Optional Buna-N)
5	1	2120-0011	Mechanical Seal (Standard Viton)
6	1	1720-0083	O-ring
7	1	0752-9000C	Mounting Flange Adapter
8	4	2210-0020	Hex Head Capscrew
9	1	1700-0101	Gasket
11	1	2130-0018	Bearing Lip Seal
12	*	1810-0013	Retaining Ring—(1) required for 540rpm (2) for 1-3/8" and (3) for 1-3/4 " 1000 rpm
13	1	2008-0001	Ball Bearing
14	1	1820-0025	Retaining Ring
15	3	2210-0046	Capscrew
16	3	2270-0003	Washer
17	6	2265-0003	Thrust Washer
18	3	2007-0022	Bearing Inner Race
19	3	3900-0039	Driver Gear w/Bearing (540 rpm) 39 teeth, Dia. 2.6"
19A	3	3900-0040	Driver Gear w/Bearing (1000 rpm) 32 teeth, Dia. 2.13"
20	**	1610-0012	Woodruff Key ** (1) req'd for 540 rpm (2) req'd for 1000 rpm models.
21	1	3900-0010	Impeller Shaft/Pinion Gear (540 rpm)
21A	1	0500-9002	Impeller Shaft (1000 rpm)
22	1	3900-0013	Sun Gear (1000 rpm)

Ref. No.	Qty. Req'd.	Part No.	Description
23	1	1810-0011	Retaining Ring (1000 rpm)
24	1	0562-9000D	Driver Hub (Model 9006C)
24A	1	0562-9002D	Driver Hub (Model 9008C)
25	1	3435-0013	Locking Collar Kit (Hollow Shaft Only)
26	1	0501-9016D	Driver Hub (Model 9016C)
26A	1	0501-9018D	Driver Hub (Model 9018C)
27	1	1610-0005	Key
28	1	2220-0035	Capscrew (9028C)
29	1	2403-0012	Bushing (Models 9028C)
30	1	0501-9018D1	Driver Hub (Model 9028C)
31	1	1800-0014	Retaining Ring
32	1	2005-0002	Ball Bearing
33	1	2102-0025	Oil Seal
34	1	1810-0001	Retaining Ring
35	1	3900-0009	Ring Gear
36	8	1450-0004	Cushion Bumper
37	4	2210-0026	Hex Head Capscrew
38	1	0754-9000C	Gear Casing
39	1	0550-1322F4	Driver Hub (9028C) 0550-1322F 3/4" grease both keyway shaft
40	1	3430-0190	Locking Collar Kit (9028C)
41	1	2404-0193	Breather Vent
43	3	2406-0019	Oil Plug
44	1	1700-0098	Gasket
45	1	1720-0139	O-ring
46	1	1720-0022	O-ring
47	1	1520-0034	Mounting Clip
	1		Nameplate (not shown)
	1	6031-0318	WARNING tag (not shown)

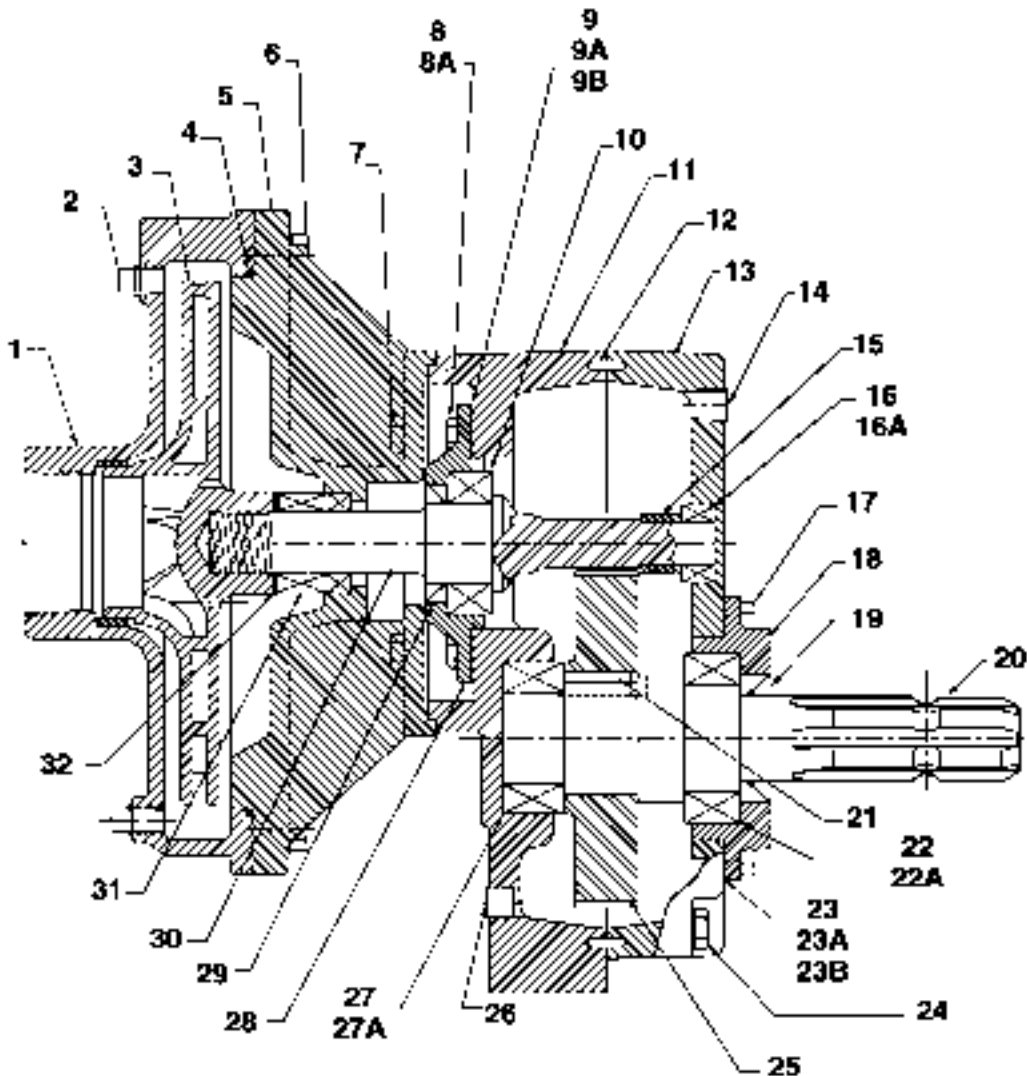


**Seal, O-ring Repair Kit No. 3430-0333 consists of (1) Ref. 2 Mechanical Seal, (1) Ref. 3 O-ring (1) Ref. 5 Washer, (1) Ref. 37 Gasket and (1) Ref. 47 Gasket.**  
**Gear Lube Requirement:**  
 Phillube SAE 80W90 Oil

NOTE: When ordering parts, give QUANTITY, PART NUMBER, DESCRIPTION, and COMPLETE MODEL NUMBER. Reference numbers are used ONLY to identify parts in the drawing and are NOT to be used as order numbers.

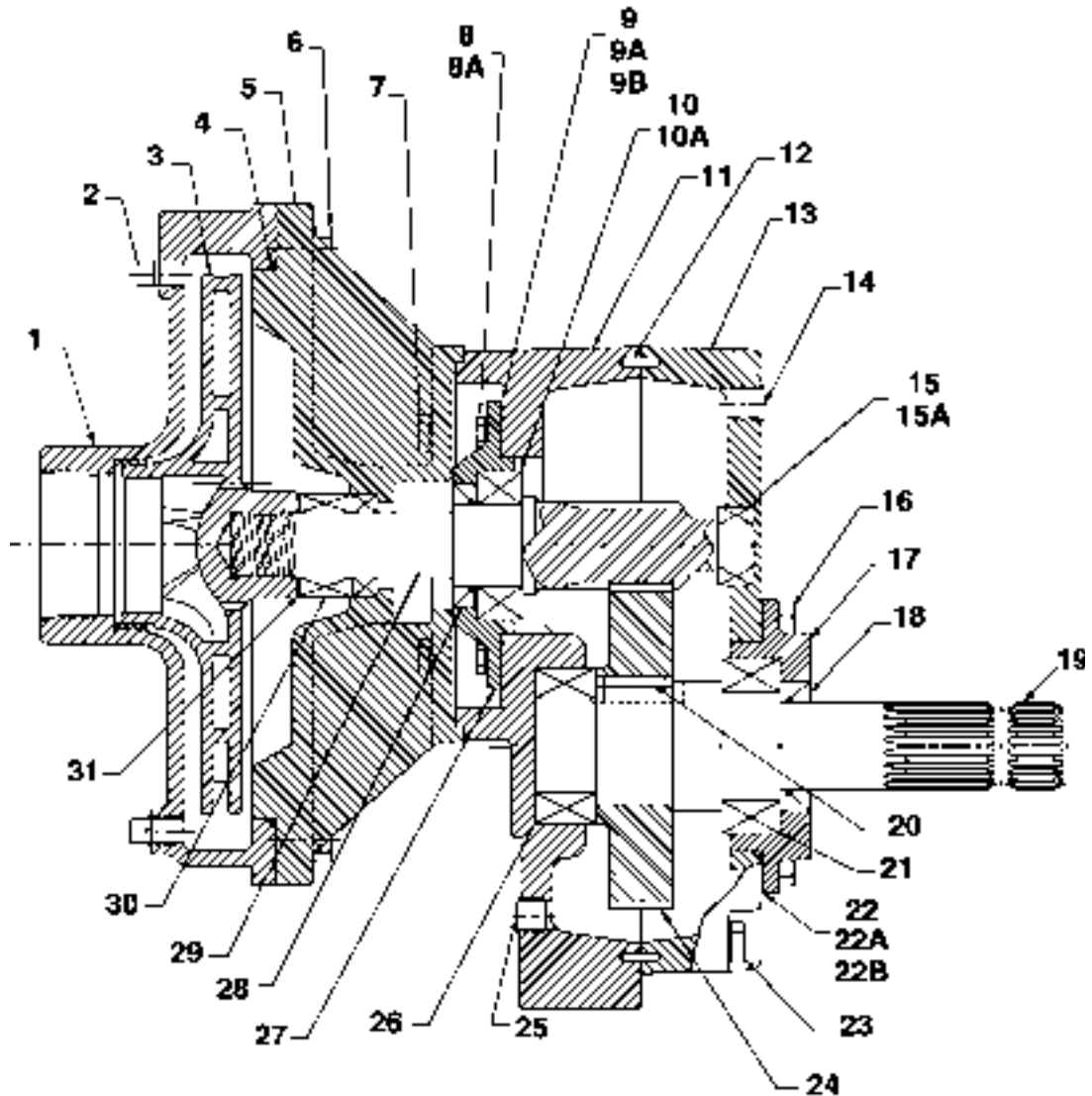
Ref. No.	Qty. Req'd.	Part No.	Description
1	1	1410-0082	Spacer
2	1	2120-0011	Mechanical Seal
3	1	1721-0083	O-Ring
4	4	2406-0020	Plug
5	1	2270-0057	Washer
6	1	2250-0051	Jam Nut
7	1	2250-0052	Impeller Nut
8	1	0700-9000P	Pump Casing
9	**	1610-0042	Woodruff Key *(1) required for 9006P (2) for 9008P
10	1	0403-9000P	Impeller (Polypropylene)
11	6	2210-0087	Capscrew
12	6	2270-0041	Washer
13	1	0750-9000P	Back Cover
14	1	0750-9006C	Flange
15	4	2220-0013	Capscrew
16	1	0752-9006C	Flange
17	1	0503-9000	Shaft (9006P)
18	1	0504-9000	Shaft (9008P)
19	1	2130-0018	Bearing Lip Seal
20	*	1810-0013	Retaining Ring *(1) required for 9006P (2) for 9008P
21	1	2008-0001	Ball Bearing
22	1	1820-0025	Retaining Ring
23	3	2210-0046	Capscrew
24	3	2270-0003	Washer
25	6	2265-0003	Thrustwasher

Ref. No.	Qty. Req'd.	Part No.	Description
26	3	2007-0022	Bearing Inner Race
27	3	3900-0039	Driver Gear (9006P)
27A	3	3900-0040	Driver Gear (9008P)
28	1	3900-0013	Sun Gear (9008P)
29	1	1810-0011	Retaining Ring (9008P)
30	1	0562-9000D	Driver Hub (9006P) 1-3/8 PTO 540 rpm
30A	1	0562-9002D	Driver Hub (9008P) 1-3/8 PTO 1000 rpm
30B	1	0501-9016D	Shaft (Solid) 540 rpm
30C	1	0501-9018D	Shaft (Solid) 1000 rpm
31	1	1800-0014	Retaining Ring
32	1	2005-0002	Ball Bearing
33	1	2102-0025	Oil Seal
34	1	1810-0001	Retaining Ring
35	1	3900-0009	Ring Gear
36	8	1450-0004	Cushion Bumper
37	1	1700-0101	Gasket
38	1	0754-9000C	Gear Casing
39	1	2210-0088	Hex Head Screw
40	4	2210-0026	Capscrew
41	1	2404-0193	Breather Vent
43	3	2406-0019	Oil Plug
44	1	1720-0139	O-Ring
45	1	1700-0098	Gasket
46	1	3430-0176	Locking Collar Kit (not shown)
47	1	1700-0097	Gasket
48	1	1410-0083	Slinger Ring
	1		Nameplate (not shown)
49	1	3430-0176	Locking Collar Kit (hollow shaft only)



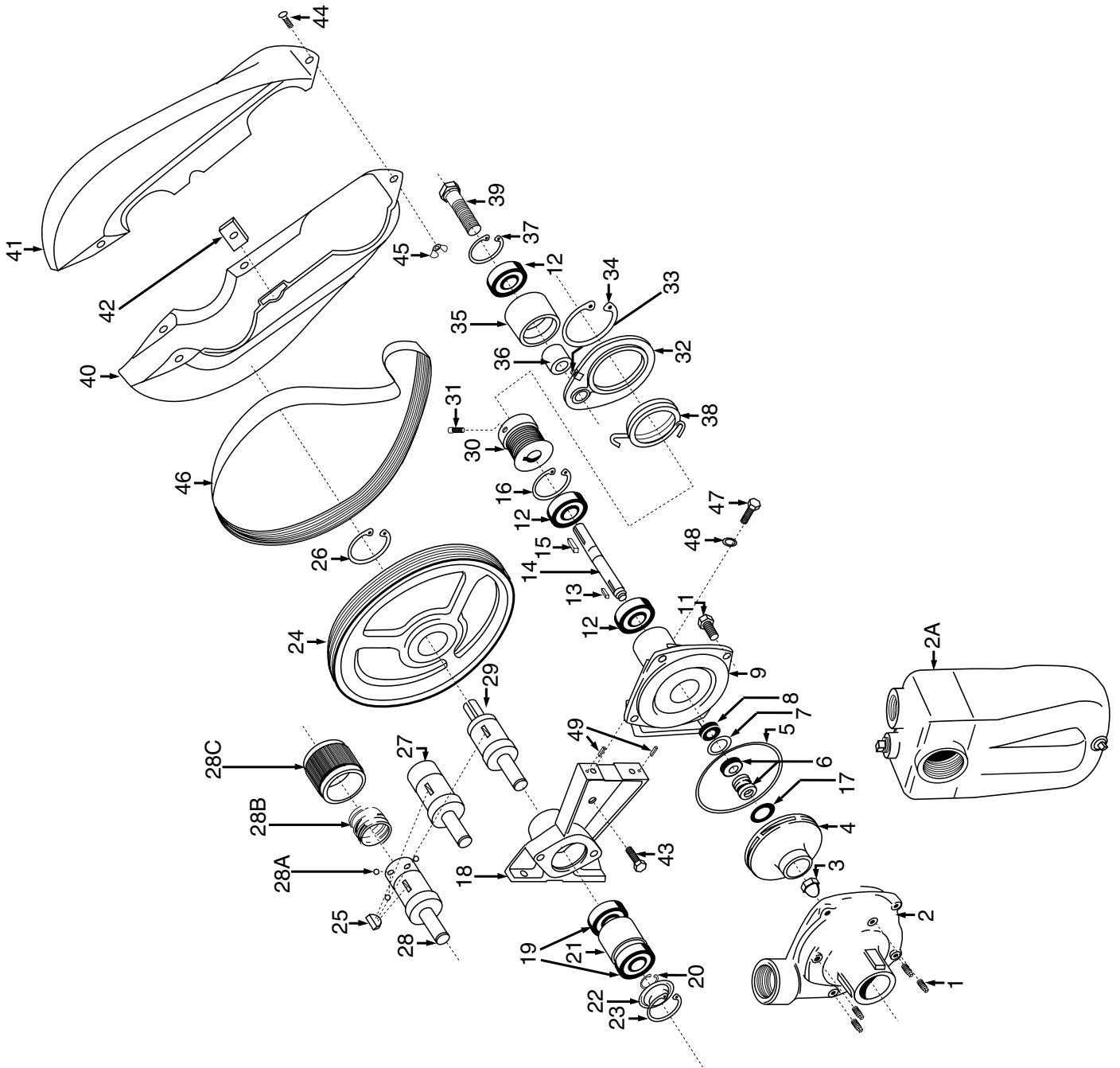
Ref. No.	Qty. Req'd.	Part No.	Description
1	1	0152-9075C	Self-Priming Casing (NPT)
1	1	0152-9075C1	Self-Priming Casing (BSP)
1	1	0153-9200C	Pump Casing
2	4	2404-0007	Drain Plug
3	1	0404-9200P	Impeller - Nylon
4	1	1720-0180	O-ring
5	1	0707-9200	Flange
6	6	2210-0086	Hex Head Capscrew
7	4	2210-0098	Hex Head Capscrew
8	4	9914-410589	Hex Head Capscrew
8A	4	9914-410894	Lock Washer
9	1	9914-392993	Gasket (.015 thick, qty. varies)
9A	1	9914-393009	Gasket (.005 thick, qty. varies)
9B	1	9914-393017	Gasket (.003 thick, qty. varies)
10	1	9914-150136	Bearing Cone
10A	1	9914-150144	Bearing Cup
11	1	9914-003640	Gear Case
12	2	9914-350140	Dowel Pin
13	1	9914-003632	Gear Case
14	1	9914-410019	Vent Plug
15	1	9914-452516	Spacer
16	1	9914-150128	Bearing Cup

Ref. No.	Qty. Req'd.	Part No.	Description
16A	1	9914-150110	Bearing Cone
17	6	9914-410076	Hex Head Capscrew
18	1	9914-053496	Bearing and Seal Retainer
19	1	9914-300087	Seal
20	1	9914-225680	Shaft
21	1	9914-600825	Key
22	1	9914-152991	Bearing Cone
22A	1	9914-152983	Bearing Cup
23	1	9914-392340	Gasket (.015 thick, qty. varies)
23A	1	9914-392357	Gasket (.005 thick, qty. varies)
23B	1	9914-392365	Gasket (.003 thick, qty. varies)
24	10	9914-412171	Hex Head Capscrew
25	1	9914-108191	Gear
26	1	9914-410001	Drain Plug
27	1	9914-151167	Bearing Cup
27A	1	9914-151175	Bearing Cone
28	1	9914-055947	Bearing and Seal Retainer
29	1	9914-300194	Seal
30	1	9914-108183	Shaft
31	1	2120-0034	Mechanical Seal
32	1	1700-0121	O-ring



Ref. No.	Qty. Req'd.	Part No.	Description
1	1	0153-9200C	Pump Casing
2	4	2404-0007	Drain Plug
3	1	0404-9200C	Impeller
4	1	1720-0180	O-ring
5	1	0707-9200	Flange
6	6	2210-0086	Hex Head Capscrew
7	4	2210-0098	Hex Head Capscrew
8	4	9914-410589	Hex Head Cascrew
8A	4	9914-410894	Lock Washer
9	1	9914-392993	Gasket (.015 thick, qty. varies)
9A	1	9914-393009	Gasket (.005 thick, qty. varies)
9B	1	9914-393017	Gasket (.003 thick, qty. varies)
10	1	9914-150136	Bearing Cone
10A	1	9914-150144	Bearing Cup
11	1	9914-003640	Gear Case
12	2	9914-350140	Dowel Pin
13	1	9914-003632	Gear Case
14	1	9914-410019	Vent Plug
15	1	9914-150128	Bearing Cup
15A	1	9914-150110	Bearing Cone

Ref. No.	Qty. Req'd.	Part No.	Description
16	6	9914-410076	Hex Head Capscrew
17	1	9914-053496	Bearing and Seal Retainer
18	1	9914-300087	Seal
19	1	9914-225714	Shaft
20	1	9914-600825	Key
21	1	9914-152991	Bearing Cone
21A	1	9914-152983	Bearing Cup
22	1	9914-392340	Gasket (.015 thick, qty. varies)
22A	1	9914-392357	Gasket (.005 thick, qty. varies)
22B	1	9914-392365	Gasket (.003 thick, qty. varies)
23	10	9914-412171	Hex Head Capscrew
24	1	9914-108217	Gear
25	1	9914-410001	Drain Plug
26	1	9914-151167	Bearing Cup
26A	1	9914-151175	Bearing Cone
27	1	9914-055947	Bearing and Seal Retainer
28	1	9914-300194	Seal
29	1	9914-108209	Shaft
30	1	2120-0034	Mechanical Seal
31	1	1700-0121	O-ring



Series 9402C, 9403C and 9403C-SP

Ref. No.	Qty. Req'd	Part No.	Description
1	4	2406-0007	Drain Plug
2	1	0150-9000C	Pump Casing (Model 9403C)
2	1	0150-9000S1	Pump Casing (Model 9403S)
2	1	0150-9200C	Pump Casing (Model 9402C)
2A	1	0150-9070C	Pump Casing (Model 9403C-SP) (The above casings include a stainless steel wear ring.)
3	1	2253-0002	Impeller Nut
3	1	2253-0006	Impeller Nut (Model 9403S)
4	1	0401-9100P	Impeller (Nylon) (standard)
4	1	0402-9100P	Impeller (Polypropylene) (9403S std.)
5	1	1720-0083	O-Ring
6	1	2120-0008	Mechanical Seal (optional Buna-N)
6	1	2120-0009	Mechanical Seal (standard Viton)
6	1	2120-0032	Mechanical Seal (opt. Silicon Carbide)
7	1	1830-0040	Seal Retainer
8	1	1410-0056	Slinger Ring
9	1	0750-9200C	Mounting Flange
9	1	0750-9200S	Mounting Flange (Model 9403S)
10	1	6031-0252	Nameplate (Specify Model Number)
11	4	2210-0020	Bolt
11	4	2210-0020	Bolt (Model 9403S)
12	3	2000-0010	Ball Bearing
13	1	1610-0015	Key
14	1	0501-9200	Pump Shaft
15	1	1610-0004	Key
16	1	1820-0013	Bearing Retainer
17	1	1700-0100	Gasket
18	1	0703-9400D	Pedestal Bracket
19	2	2001-0006	Driver Shaft Bearings
20	1	1810-0012	Driver Shaft Bearing Retainer Ring
21	1	1410-0094	Bearing Spacer
22	1	2840-0053	End Cap (label)
23	1	1820-0032	Bearing Bore Retaining Ring
24	1	3115-0031	Driver Pulley (540 rpm)
24	1	3115-0032	Driver Pulley (1000 rpm)
24	1	3115-0033	Driver Pulley (1000 rpm, 1-3/4" shaft)
25	1	1610-0033	Key (Driver Pulley)
25	1	1610-0034	Key (Driver Pulley, 1-3/4" shaft)
26	1	1810-0031	Retaining Ring (Driver Pulley)
26	1	1810-0032	Retain. Ring (Dr. Pulley, 1-3/4" shaft)
27	1	0555-9400F	Shaft (540 rpm)(3430-0207 kit used on 555-9400F and 556-9400F shafts)
27	1	0556-9400F	Shaft (1000 rpm) (3430-0207 kit used on 555-9400F and 556-9400F shafts)
27	1	0557-9400F	Shaft (1-3/4" 1000 rpm) 3430-0190 kit used on 557-9400F shaft)
28	1	0555-9400F1	Shaft (540 Quick Coupler)

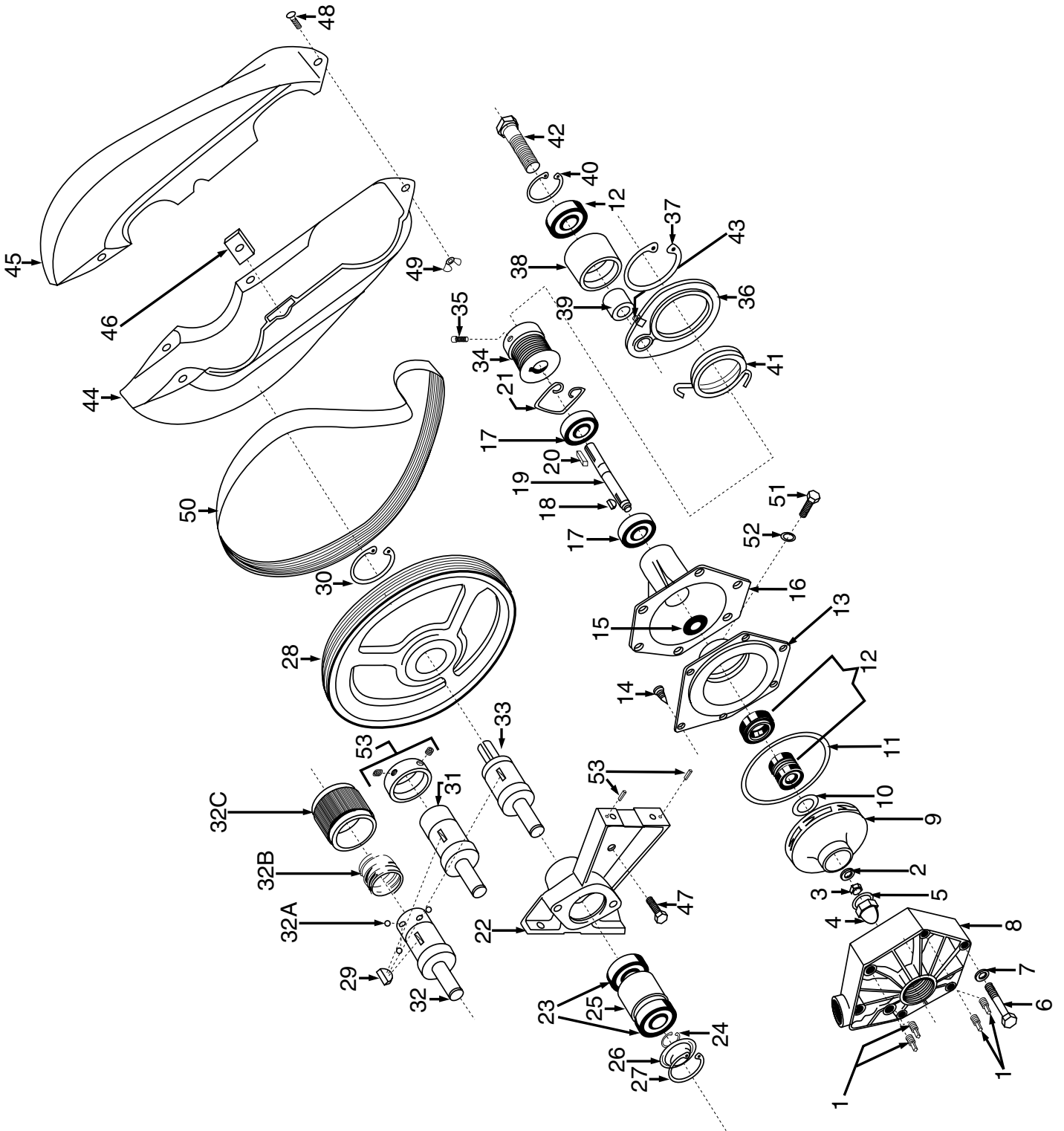
Ref. No.	Qty. Req'd.	Part No.	Description
28A	3	3250-0004	Locking Ball
28B	1	1900-0115	Collar Spring
28C	1	1400-0021	Collar
29	1	0503-9400	Shaft (1" solid)
30	1	3115-0034	Driven Pulley (5/8" dia. bore)
31	2	2230-0003	Set Screw for Driven Pulley
32	1	0706-9400C	Idler Bracket (Cast Iron Pumps)
33	1	2405-0003	Grease Zerk Fitting
34	1	1810-0036	Retaining Ring (Idler Bracket, Cast Iron)
35	1	3115-0036	Idler Pulley
36	1	1410-0095	Spacer (Idler Pulley)
37	1	1820-0013	Retaining Ring (Idler Pulley)
38	1	1900-0156	Torsion Spring (Idler for Cast Iron)
39	1	2210-0111	Idler Bolt/Shaft
40	1	2840-0075	Belt Shield
41	1	2840-0076	Belt Shield
42	1	1520-0062	Bracket for Belt Shield
43	1	2210-0021	Attachment Bolt for Shield
44	4	2240-0017	Assembly Bolts for Shield
45	4	2252-0002	Assembly Nuts for Shield
46	1	3100-0006	Poly V-Belt (540 rpm)
46	1	3100-0005	Poly V-Belt (1000 rpm)
47	2	2210-0055	Bolts for Pump to Bracket
48	2	2260-0006	Lock Washers for Bracket Bolts
49	2	1600-0070	Roll Pin

NOTE: When ordering parts, give QUANTITY, PART NUMBER, DESCRIPTION, and COMPLETE MODEL NUMBER. Reference numbers are used ONLY to identify parts in the drawing and are NOT to be used as order numbers.

**Repair Kit No. 3430-0477 (for 1000 rpm drives)** consists of (1) Ref. 46 Poly V-Belt, (1) Ref. 5 O-ring, (1) Ref. 6 Mechanical Seal (Viton), and (1) Ref. 17 Gasket.

**Repair Kit No. 3430-0476 (for 540 rpm drives)** consists of (1) Ref. 46 Poly V-Belt, (1) Ref. 5 O-ring, (1) Ref. 6 Mechanical Seal (Viton), and (1) Ref. 17 Gasket.

**Seal, O-ring Repair Kit No. 3430-0332** consists of (1) Ref. 6 Mechanical Seal (Viton), (1) Ref. 5 O-ring and (1) Ref. 17 Gasket.





Ref. No.	Qty. Req'd.	Part No.	Description
1	4	2406-0020	Plug
2	1	2270-0057	Washer
3	1	2250-0051	Jam Nut
4	1	2250-0052	Impeller Nut
5	1	1700-0097	Gasket
6	6	2210-0087	Screw
7	6	2270-0041	Washer
8	1	0700-9000P	Pump Casing
9	1	0403-9000P	Impeller (Polypropylene)
10	1	1700-0101	Gasket
	1		Nameplate (not shown)
11	1	1721-0083	O-Ring
12	1	2120-0011	Mechanical Seal
13	1	0750-9000P	Back Cover
14	1	2210-0088	Screw
15	1	1410-0083	Slinger Ring
16	1	0702-9200C	Flange
17	2	2008-0001	Bearing
18	1	1610-0042	Woodruff Key (ss)
19	1	0506-9200	Shaft
19	1	0507-9200	Optional Stainless Steel Shaft (316 ss)
20	1	1610-0004	Key
21	1	1820-0025	Retaining Ring
22	1	0703-9400D	Pedestal Bracket
23	2	2001-0006	Driver Shaft Bearings
24	1	1810-0012	Driver Shaft Bearing Retainer Ring
25	1	1410-0094	Bearing Spacer
26	1	2840-0053	End Cap (label)
27	1	1820-0032	Bearing Bore Retaining Ring
28	1	3115-0031	Driver Pulley (540 rpm)
28	1	3115-0032	Driver Pulley (1000 rpm)
28	1	3115-0033	Driver Pulley (1000 rpm, 1-3/4" shaft)
29	1	1610-0033	Key (Driver Pulley)
29	1	1610-0034	Key (Driver Pulley, 1-3/4" shaft)
30	1	1810-0031	Retaining Ring (Driver Pulley)
30	1	1810-0032	Retain. Ring (Dr. Pulley, 1-3/4" shaft)

Ref. No.	Qty. Req'd.	Part No.	Description
31	1	0555-9400F	Shaft (540 rpm) (3430-0207 kit used on 555-9400F and 556-9400F shafts)
31	1	0556-9400F	Shaft (1000 rpm) (3430-0207 kit used on 555-9400F and 556-9400F shafts)
31	1	0557-9400F	Shaft (1-3/4" 1000 rpm) (3430-0190 kit used on 557-9400F shaft)
32	1	0555-9400F1	Shaft (540 Quick Coupler)
32A	3	3250-0004	Locking Ball
32B	1	1900-0115	Collar Spring
32C	1	1400-0021	Locking Collar
33	1	0503-9400	Shaft (1" solid)
34	1	3115-0035	Driven Pulley (7/8" dia. bore)
35	2	2230-0003	Set Screw for Driven Pulley
36	1	0707-9400C	Idler Bracket (Poly Pumps)
37	1	1810-0035	Retaining Ring (Idler Bracket, Poly)
38	1	3115-0036	Idler Pulley
39	1	1410-0095	Spacer (Idler Pulley)
40	1	1820-0013	Retaining Ring (Idler Pulley)
41	1	1900-0157	Torsion Spring (Idler for Poly)
42	1	2210-0111	Idler Bolt/Shaft
43	1	2405-0003	Grease Fitting for Idler Arm
44	1	2840-0075	Belt Shield
45	1	2840-0076	Belt Shield
46	1	1520-0062	Bracket for Belt Shield
47	1	2210-0021	Attachment Bolt for Shield
48	4	2240-0017	Assembly Bolts for Shield
49	4	2252-0002	Assembly Nuts for Shield
50	1	3100-0006	Poly V-Belt (540 rpm)
50	1	3100-0005	Poly V-Belt (1000 rpm)
51	2	2210-0055	Bolts for Pump to Bracket
52	2	2260-0006	Lock Washers for Bracket Bolts
53	2	1600-0070	Roll Pin

NOTE: When ordering parts, give QUANTITY, PART NUMBER, DESCRIPTION, and COMPLETE MODELNUMBER. Reference numbers are used ONLY to identify parts in the drawing and are NOT to be used as order numbers.

**Repair Kit No. 3430-0479 (for 1000 rpm drives)** consists of (1) Ref. 50 Poly V-Belt, (1) Ref. 3 O-ring, (1) Ref. 12 Mechanical Seal, (1) Ref. 18 Gasket and (1) Ref. 21 Gasket.

**Repair Kit No. 3430-0478 (for 540 rpm drives)** consists of (1) Ref. 50 Poly V-Belt, (1) Ref. 11 O-ring, (1) Ref. 12 Mechanical Seal, (1) Ref. 5 Gasket and Ref. 10 Gasket.

**Seal, O-ring Repair Kit No. 3430-0333** consists of (1) Ref. 2 Mechanical Seal, (1) Ref. 3 O-ring, (1) Ref. 18 Gasket, (1) Ref. 5 Washer and (1) Ref. 21 Gasket.

---

• NOTES •

---

•NOTES•

## Limited Warranty on Hypro Pumps and Other Hypro Products

Hypro Corporation (“Hypro”) warrants to the original purchaser of its products (the “Purchaser”) that such products will be free from defects in material and workmanship under normal use for the period of one (1) year for all products except: oil crankcase plunger pumps will be free from defects in material and workmanship under normal use for the period of five (5) years, and accessories will be free from defects in material and workmanship under normal use for the period of ninety (90) days. In addition, Hypro warrants to the purchaser all forged brass pump manifolds will be free from defects in material and workmanship under normal use and from damage resulting from environmental conditions for the life of the pump.

“Normal use” does not include use in excess of recommended maximum speeds, pressures, vacuums and temperatures, or use requiring handling of fluids not compatible with component materials, as noted in Hypro product catalogs, technical literature, and instructions. This warranty does not cover freight damage, freezing damage, normal wear and tear, or damage caused by misapplication, fault, negligence, alterations, or repair that affects the performance or reliability of the product.

**THIS WARRANTY IS EXCLUSIVE. HYPRO MAKES NO OTHER WARRANTY, EXPRESS OR IMPLIED, INCLUDING BUT NOT LIMITED TO ANY WARRANTY OF MERCHANTABILITY OR FITNESS FOR A PARTICULAR PURPOSE.**

Hypro’s obligation under this warranty is, at Hypro’s option, to either repair or replace the product upon return of the entire product to the Hypro factory in accordance with the return procedures set forth below. **THIS IS THE EXCLUSIVE REMEDY FOR ANY BREACH OF WARRANTY.**

**IN NO EVENT SHALL HYPRO BE LIABLE FOR ANY INCIDENTAL OR CONSEQUENTIAL DAMAGES OF ANY KIND, WHETHER FOR BREACH OF ANY WARRANTY, FOR NEGLIGENCE, ON THE BASIS OF STRICT LIABILITY, OR OTHERWISE.**

### Return Procedures

**All pumps or products *must* be flushed of *any* chemical (ref. OSHA Section 0910.1200 (d)(e)(f)(g)(h) and hazardous chemicals *must* be labeled before being shipped\* to Hypro for service or warranty consideration.** Hypro reserves the right to request a Material Safety Data sheet from the Purchaser for any pump or product Hypro deems necessary. Hypro reserves the right to “disposition as scrap” pumps or products returned which contain unknown substances, or to charge for any and all costs incurred for chemical testing and proper disposal of components containing unknown substances. Hypro requests this in order to protect the environment and personnel from the hazards of handling unknown substances.

For technical or application assistance, call the **Hypro Technical/Application number: 1-800-445-8360.**

**To obtain service or warranty assistance, call the Hypro Service and Warranty number: 1-800-468-3428; or call the Hypro Service and Warranty FAX: (651) 766-6618.**

Be prepared to give Hypro full details of the problem, including the following information:

1. Model number and the date and from whom you purchased your pump.
2. A brief description of the pump problem, including the following:
  - Liquid pumped. State the pH and any non-soluble materials, and give the generic or trade name.
  - Temperature of the liquid and ambient environment.
  - Suction lift or vacuum (measured at the pump).
  - Discharge pressure.
  - Size, type, and mesh of the suction strainer.
  - Drive type (gas engine/electric motor; direct/belt drive; tractor PTO) and rpm of pump.
  - Viscosity (of oil, or other than water weight liquid).
  - Elevation from the pump to the discharge point.
  - Size and material of suction and discharge line.
  - Type of spray gun, orifice size, unloader/relief valve.

Hypro may request additional information, and may require a sketch to illustrate the problem.

Contact the factory to receive a return material authorization before sending the product. All pumps returned for warranty work should be sent shipping charges prepaid to:

HYPRO CORPORATION  
Attention: Service Department  
375 Fifth Avenue NW  
New Brighton, Minnesota 55112-3288

\*Carriers, including U.S.P.S., airlines, UPS, ground freight, etc., require specific identification of any hazardous materials being shipped. Failure to do so may result in a substantial fine and/or prison term. Check with your shipping company for specific instructions.



A WICOR COMPANY

375 Fifth Avenue NW • New Brighton, MN 55112-3288  
Phone: (651) 766-6300 • 800-424-9776 • Fax: 800-323-6496

[www.hypropumps.com](http://www.hypropumps.com)