

Parts List for 9910-KIT1708, 9910-KIT1710 and 9910-KIT1711

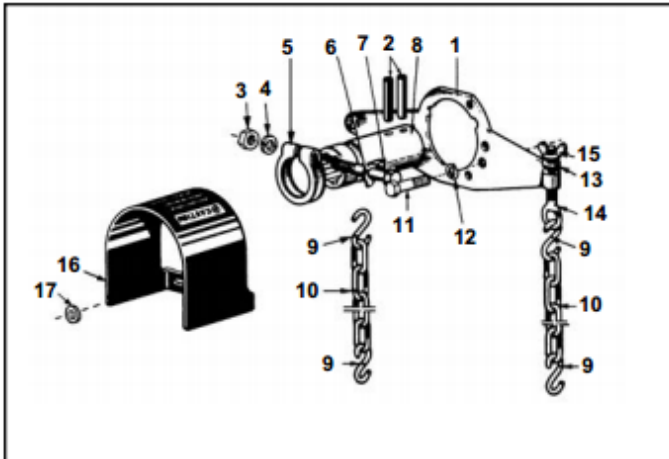


Figure 2. Coupler Kit 9910-KIT1708 Installation
9910-KIT1708: 1-3/8" Female PTO Adapter, Safety Shield, Torque Arm and Chains

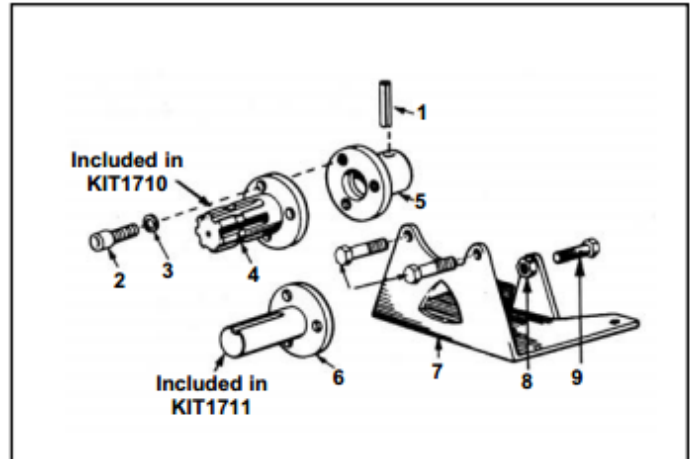


Figure 3. Coupler Kit 9910-KIT1710 Installation
9910-KIT1710: 1-3/8" Male PTO Shaft and Base Kit
9910-KIT1711: 1" Solid Shaft and Base Kit

Parts List for 9910-KIT1708

REF. NO.	PART NUMBER	DESCRIPTION	QTY. REQ'D
1	9910-380271	Torque Arm	1
2	9910-550290	Roll Pin	2
3	9910-320130	Nut	1
4	9910-320131	Washer	1
5	9910-500160	Collar	1
6	9910-500171	Lock Retaining Washer	1
7	9910-320170	12MAx75 Bolt	1
8	9910-550250	Female Splined Shaft	1
9	9910-320650	Chain "S" Hook	4
10	9910-320640	Chain	2
11	9910-620472	M10 x 20 Bolt	2
12	9910-200231	Washer	5
13	N/A	Washer (7/16"; 10.5 mm)	1
14	N/A	Eye Bolt	1
15	9910-320610	Wing Nut	1
16	2840-0028	Safety Shield (with KIT1708)	1
17	2270-0004	Washer	4

Parts List for 9910-KIT1710 & 1711 Shaft Kit

REF. NO.	PART NUMBER	DESCRIPTION	QTY. REQ'D
1	9910-550290	Roll Pin	2
2	9910-620470	M10 x 20 Bolt	3
3	9910-200231	Washer	3
4	9910-620240	1-3/8" Male 6 Spline PTO Shaft	1
5	9910-550510	Adapter	1
6	9910-621600	1" Solid Shaft	1
7	9910-580080	Base	1
8	9910-180150	Nut	1
9	9910-540300	10MAx30 Bolt	1
10	9910-620472	M10 x 20 Bolt	2

Shaft Adapter Kit Installation

Order appropriate shaft kit according to chart on page 2.

Female Splined Coupler Kit 9910-KIT1708 (see Fig. 2).
 To install the 1-3/8" female splined shaft coupler:

- Place the torque bracket (Ref. 1) onto pump and secure with bolts (Ref. 11).
- Slide female coupler (Ref. 8) onto pump shaft. Align holes in coupler with holes in pump shaft and press in pins (Ref. 2).
- Make sure clamp (Ref. 5) is over groove in the coupler. Slide the pump onto the PTO shaft of power source and tighten clamp.
- Attach chains (Ref. 10) to tractor to prevent rotation of the pump.

Solid Shaft Kit 9910-KIT1711, Male Splined Shaft Kit 9910-KIT1710 (see Fig. 3).

To install the 1-3/8" male splined shaft coupler:

- Slide shaft adapter flange (Ref. 5) over pump shaft. Align adapter hole with hole on the pump shaft and press in pin (Ref. 1).
- Bolt shaft adapter (Ref. 4 or 6) onto flange with three bolts (Ref. 2) and washers (Ref. 3).
- Place base (Ref. 7) on pump, and secure with bolts and washers. Secure opposite side of base with bolt (Ref. 9) and nut (Ref. 8).