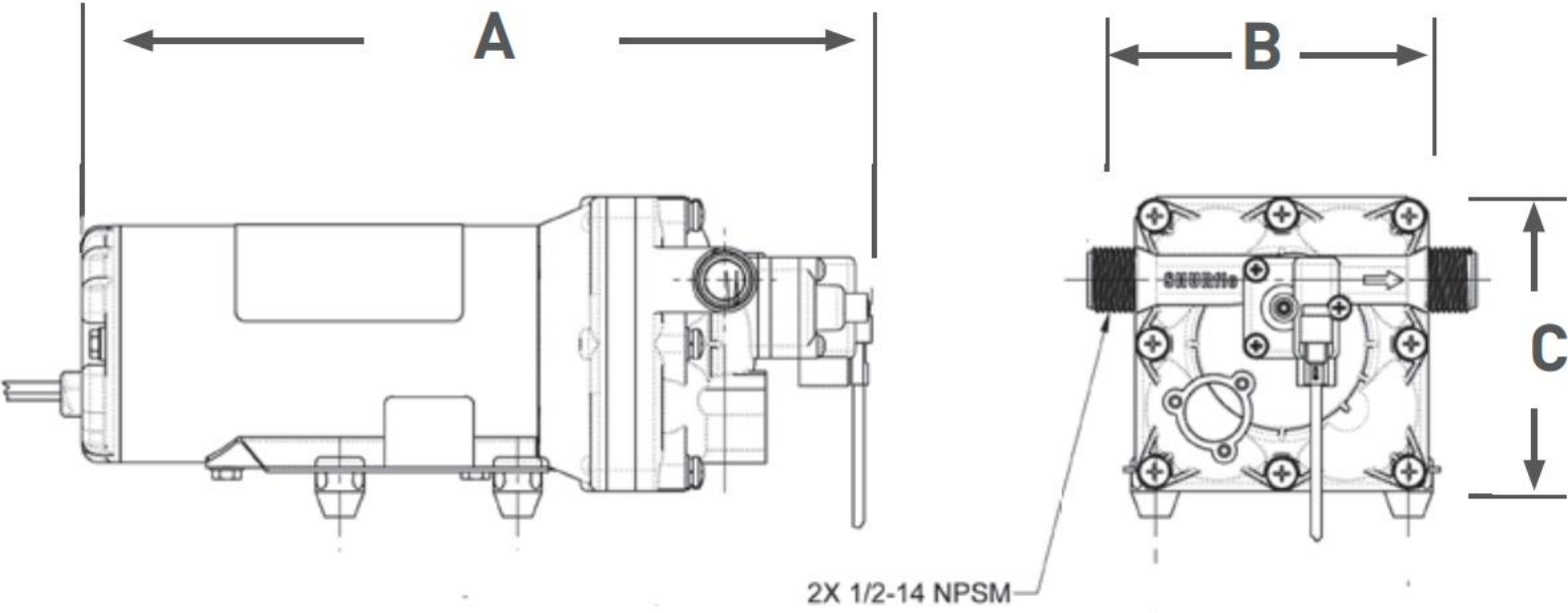


# 5059 Series



Model No.	A	B	C	Packaging
5059-1310-D011	9.99"/25.4 cm	4.34"/11 cm	4.03"/10.2 cm	Brown Box
5059-1311-D011*	9.99"/25.4 cm	4.92"/12.5 cm	4.03"/10.2 cm	Brown Box
5059-1310-D012	9.99"/25.4 cm	4.34"/11 cm	4.03"/10.2 cm	Retail Box
5059-1311-D012*	9.99"/25.4 cm	4.92"/12.5 cm	4.03"/10.2 cm	Retail Box

\* 1/2" -14 American National Standard Straight Pipe Thread