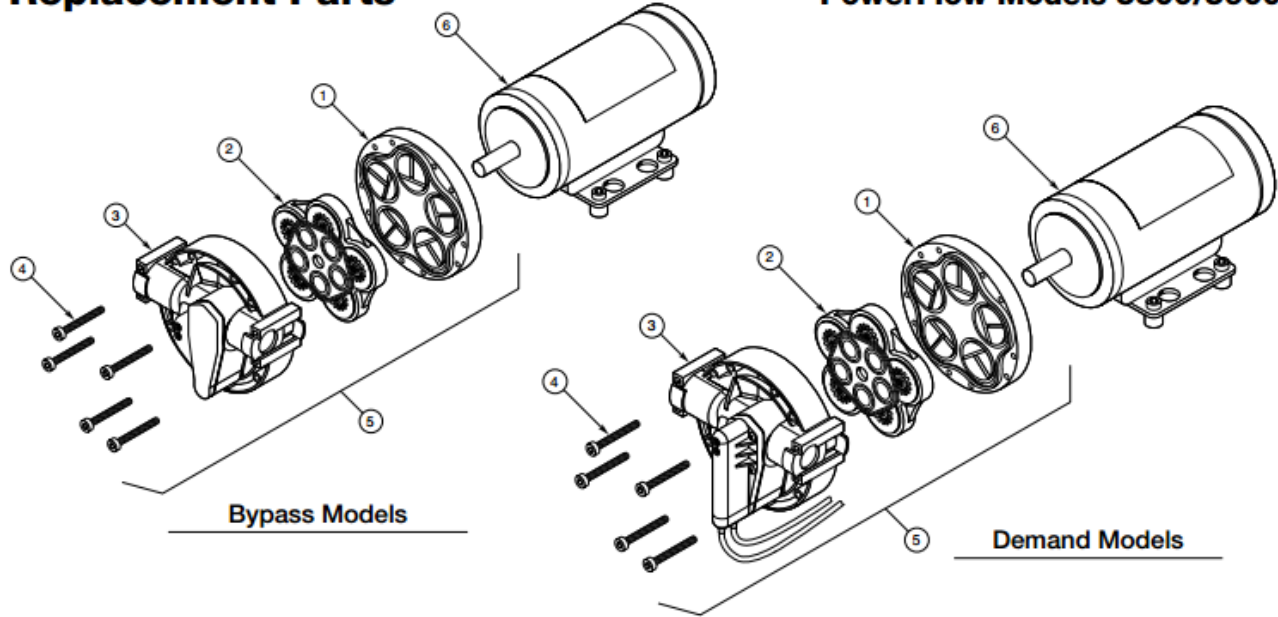


Replacement Parts

PowerFlow Models 5800/5900



| Item | Description | Part Number | Qty |
|------|--|---------------|-----|
| 1 | Lower Housing | | 1 |
| | 5830/5836 - 5930/5936 – Demand or Bypass | LHA5510-1E77 | |
| | 5840/5940 – Demand or Bypass..... | LHA5512-1E77 | |
| | 5850/5950 – Demand or Bypass..... | LHA5513-1E77 | |
| 2 | Valve Assembly | | 1 |
| | 5800/5900 Series Pumps | VHA-5513-1E77 | |
| 3 | Upper Housing..... | | 1 |
| | 5800 w/Pressure Switch | UHA-5513-1E77 | |
| | 5800 w/Bypass..... | UHA-5513-2E77 | |
| | 5900 w/Pressure Switch | UHA-5503-1E77 | |
| | 5900 w/Bypass..... | UHA-5503-2E77 | |
| 4 | Mounting Bolts..... | MB-5500-1 | 4 |
| 5 | Complete Pump Head w/Threaded Ports..... | | 1 |
| | 5830/5836 w/Pressure Switch | .5510-1X77 | |
| | 5830/5836 w/Bypass | .5510-2X77 | |
| | 5840 w/Pressure Switch | .5512-1X77 | |
| | 5840 w/Bypass..... | .5512-2X77 | |
| | 5850 w/Pressure Switch | .5513-1X77 | |
| | 5850 w/Bypass..... | .5513-2X77 | |
| | Complete Pump Head w/Quick Attach Ports | | 1 |
| | 5930/5936 w/Pressure Switch | .5500-1X77 | |
| | 5930/5936 w/Bypass | .5500-2X77 | |
| | 5940 w/Pressure Switch | .5502-1X77 | |
| | 5940 w/Bypass..... | .5502-2X77 | |
| | 5950 w/Pressure Switch | .5503-1X77 | |
| | 5950 w/Bypass..... | .5503-2X77 | |
| 6 | 12 VDC Motor | | 1 |
| | 5800/5900 Series w/No Switch, No Connector | M12-58A | |
| | 5800/5900 Series w/Connector, No Switch | M12-58B | |
| | 5800/5900 Series w/Switch and Connector..... | M12-58C | |
| | 5800/5900 w/Bypass | M70-563-MO | |